

# 4-wheel Cushion Forklift 5,000lbs

## FDLA251



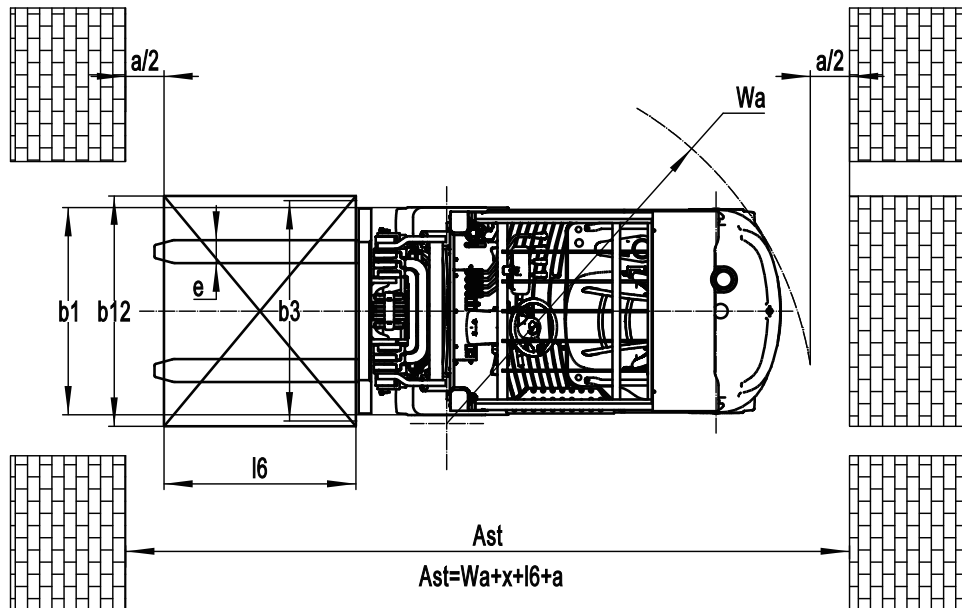
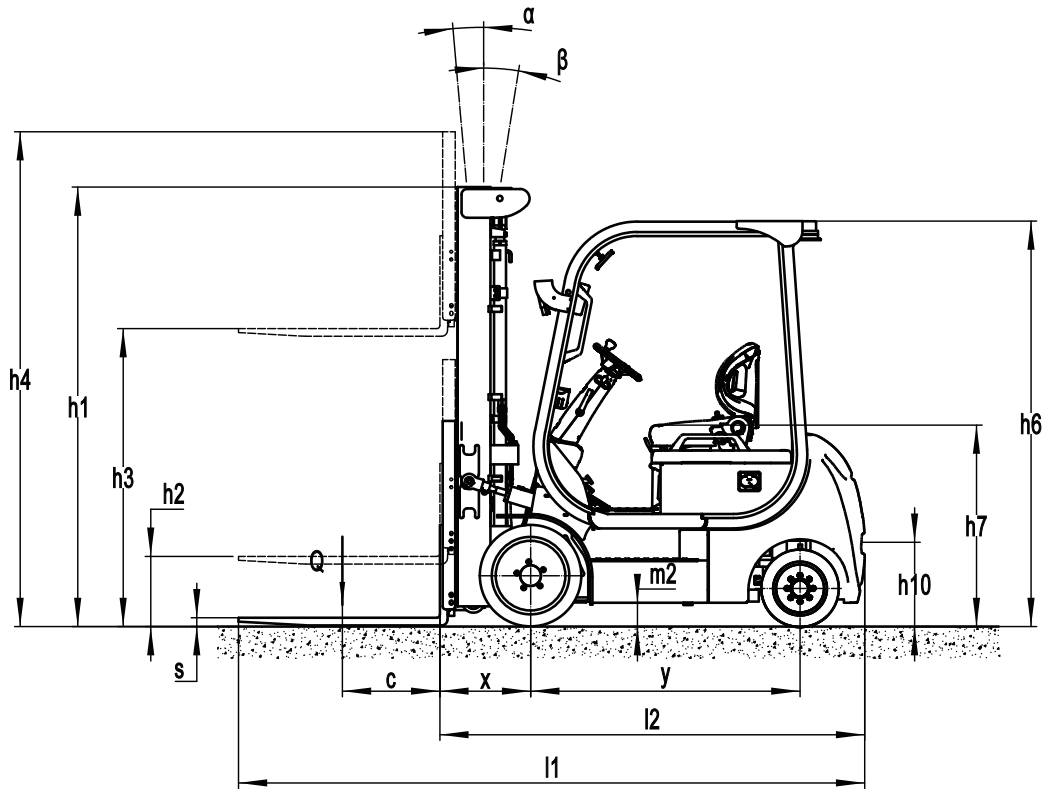
- 80V system utilizing EP Energy's integrated 460Ah lithium battery
- Dual AC drive motors for exceptional maneuverability and superior performance
- Lithium exclusive chassis affords superior ergonomics in seating position and visibility
- EP exclusive LED Display provides intuitive information
- Wide variety of chargers ranging from 13A to 155A

Manufacturer			EP
Model designation			FDLA251
Drive			Electric
Base capacity	Q	lb.	5000
Load center distance	c	in.	24
Service weight		lb.	10538
Collapsed Height	h1	in.	83
Maximum fork height	h3	in.	189
Height, mast extended with Std. LBR	h4	in.	237
Length to face of forks	l2	in.	87.0
Overall width	b1/b2	in.	42.5
Fork dimensions	s/e/l	in.	1.57x4.8x42
Turning radius	Wa	in.	75.6
Travel speed, loaded/unloaded		mph	9/9.3
Lifting speed, loaded/unloaded		fpm	74.8/98.4
Lowering speed, loaded/unloaded		fpm	88.5/98.4
Max. gradeability, loaded/unloaded		%	15/16
Drive motor rating S2 60 min		kW	5.0x2
Battery voltage/nominal capacity		V/Ah	80V230Ah / 80V460Ah

# 4-wheel Cushion Forklift 5,000lbs FDLA251

Distinguishing mark	1.1	Manufacturer				EP
	1.2	Model designation				FDLA251
	1.3	Drive				Electric
	1.4	Operator type				Seated
	1.5	Base capacity	Q	lb.		5000
	1.6	Load center distance	c	in.		24
	1.8	Load distance, center of drive axle to fork	x	in.		18.3
	1.9	Wheelbase	y	in.		55.3
	Service weight	2.1	Service weight		lb.	
2.2		Axle loading, loaded front/rear		lb.		13878/1660
2.3		Axle loading, unloaded front/rear		lb.		5059/5479
Tires/chassis	3.1	Tire type				Solid rubber cushion
	3.2	Tire size, front				21x7-15
	3.3	Tire size, rear				16x6-10.5
	3.5	Wheels, number front/rear (x=drive wheels)		in.		2x2
	3.6	Tread width, front	b <sub>10</sub>	in.		35.6
	3.7	Tread width, rear	b <sub>11</sub>	in.		35.4
	Dimensions	4.1	Tilt of mast/fork carriage forward/backward	α/β	°	
4.2		Collapsed Height	h <sub>1</sub>	in.		83
4.3		Free lift	h <sub>2</sub>	in.		35
4.4		Maximum fork height	h <sub>3</sub>	in.		189
4.5		Height, mast extended with Std. LBR	h <sub>4</sub>	in.		237
4.7		Height of overhead guard (cabin)	h <sub>6</sub>	in.		83
4.8		Seat height/standing height	h <sub>7</sub>	in.		40
4.12		Tow coupling height	h <sub>10</sub>	in.		16.3
4.19		Overall length	l <sub>1</sub>	in.		129.1
4.20		Length to face of forks	l <sub>2</sub>	in.		87
4.21		Overall width	b <sub>1</sub> /b <sub>2</sub>	in.		42.5
4.22		Fork dimensions	s×e×l	in.		1.57x4.8x42
4.23		A,B Fork carriage class/type A, B				2A
4.24		Fork carriage width	b <sub>3</sub>	in.		41
4.31		Ground clearance, laden, below mast	m <sub>1</sub>	in.		3.9
4.32		Ground clearance, center of wheelbase	m <sub>2</sub>	in.		4.7
4.34.1		Right Angle Stack (x +wa)	Ast	in.		93.9
4.34.2	Minimum Aisle Width (Right Angle Stack + Load Length + Clearance)	Ast	in.		154	
4.35	Turning radius	Wa	in.		75.6	
Performance data	5.1	Travel speed, loaded/unloaded		mph		9/9.3
	5.2	Lifting speed, loaded/unloaded		fpm		74.8/98.4
	5.3	Lowering speed, loaded/unloaded		fpm		88.5/98.4
	5.8	Max. gradeability, loaded/unloaded		%		15/16
	5.10	Service brake				Hydraulic - wet disc
	5.11	Parking brake				Mechanical
Electric-engine	6.1	Drive motor rating S2 60 min		kW		5.0x2
	6.2	Lift motor rating at S3 15%		kW		18.0
	6.4	Battery voltage/nominal capacity		V/Ah		80V230Ah / 80V460Ah
	6.5	Minimum battery weight		lb.		550
	Additional data	8.1	Type of drive control			
10.5		Steering design				Hydraulic
10.7		Sound pressure level at the driver's ear		dB(A)		74
15.1		Charger output current		A		15, 35, 100, 155, 200

If there are improvements of technical parameters or configurations, no further notice will be given.  
The diagram shown may contain non-standard configurations.  
Minimum Aisle Width uses 48" for load length and 12" for Clearance.



## Mast Options

Mast types	Maximum Fork Height (h3)	Mast Dimensions			Free lift(h2)	
		Collapsed Height(h1)	Extended Height(h4)		No LBR	W/ STD. LBR
			No LBR	W/ STD. LBR		
in.	in.	in.	in.	in.	in.	
3-Free Mast	189.0	83.1	211.2	237.0	60.8	35.0
	197.0	90.0	219.1	244.9	67.7	41.9