



3-Wheel Pneumatic Forklift 3500lbs CPD18TVL



- Reduced Footprint indoor / outdoor, compact 3-wheel forklift
- EP 230Ah 80V Li Battery and on-board charger. Also available for external charging up to 100A
- Integral Charger allows for both 120 and 240VAC connection for convenience
- Powerful dual-drive AC traction motors, designed for sustained partial/occasional charge environments
- Spacious legroom for operator comfort and fatigue reduction
- Ergonomic forward design with adjustable steering wheel and bucket seat

Manufacturer				EP
Model designation				CPD18TVL
Drive				Electric
Base capacity	Q	lb.	3500	
Load center distance	c	in.	24	
Service weight		lb.	7645	
Collapsed Height	h1	in.	88.2	
Maximum fork height	h3	in.	189	
Height, mast extended with Std. LBR	h4	in.	230	
Length to face of forks	l2	in.	75.3	
Overall width	b1/b2	in.	43.3	
Fork dimensions	s/e/l	in.	1.6X3.9X42.1	
Turning radius	Wa	in.	61	
Travel speed, loaded/unloaded		mph	8/8.7	
Lifting speed, loaded/unloaded		fpm	65/88.6	
Lowering speed, loaded/unloaded		fpm	78.7/86.6	
Max. gradeability, loaded/unloaded		%	10/15	
Drive motor rating S2 60 min		kW	5.0x2	
Battery voltage/nominal capacity		V/Ah	80V230Ah	

FEATURES

80 Volt System Offering Powerful Performance

The 80 Volts dual drive motors offer higher power efficiency than regular 48V, thus the TVL has greatly enhanced its productivity of 6 working hours per charge.



Large Workspace

Due to the compact size of EP lithium battery and the ergonomic configuration of the control levers and the foot brake pedal, the small truck offers spacious legroom of 15.5 inches and delivers the best in operation comfort.



Compact Truck Size

The CPD18TVL features a small turning radius of 61 inches, which makes it a perfect workhorse for small warehouses with narrow aisles within 11.5 ft.



Integrated Charger

The CPD18TVL forklift comes with a EP Li-Ion battery and a 35A single phase integrated charger with 16 amp plug allowing the truck to be charged at any power outlets. The Li-ion battery and the advantage of onboard charging make it ideal for forklift rental business.



3-Wheel Pneumatic Forklift 3500lbs

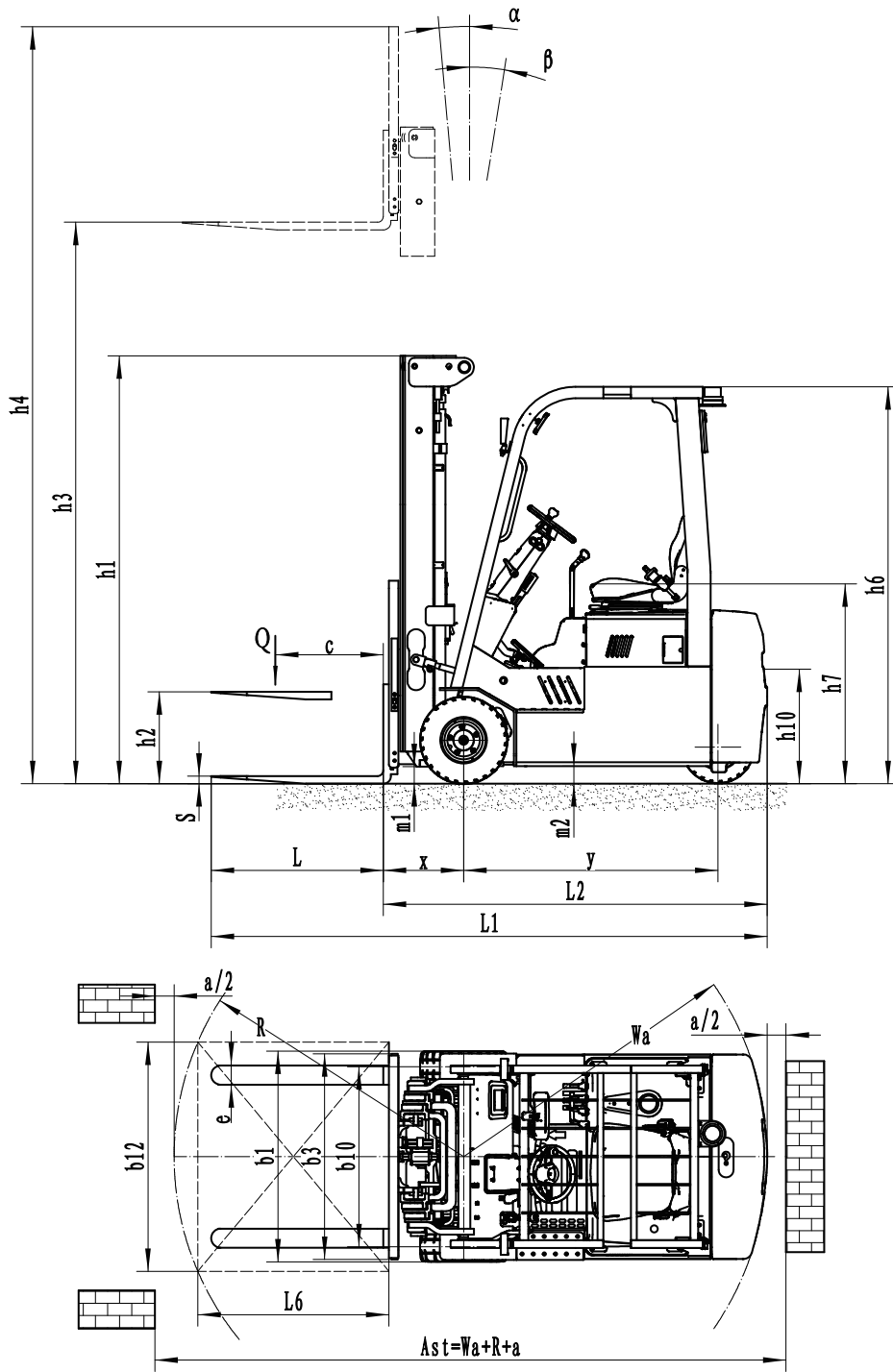
CPD18TVL

Distinguishing mark	1.1	Manufacturer				EP
	1.2	Model designation				CPD18TVL
	1.3	Drive				Electric
	1.4	Operator type				Seated
	1.5	Base capacity	Q	lb.		3500
	1.6	Load center distance	c	in.		24
	1.8	Load distance, center of drive axle to fork	x	in.		16.6
	1.9	Wheelbase	y	in.		52.4
	Service weight	2.1	Service weight		lb.	
2.2		Axle loading, loaded front/rear		lb.		9713/1438
2.3		Axle loading, unloaded front/rear		lb.		3707/3938
Tires/chassis	3.1	Tire type				Solid rubber
	3.2	Tire size, front				18X7-8
	3.3	Tire size, rear				15X4.5-8
	3.5	Wheels, number front/rear (x=drive wheels)		in.		2X/2
	3.6	Tread width, front	b ₁₀	in.		37.1
	3.7	Tread width, rear	b ₁₁	in.		6.9
	Dimensions	4.1	Tilt of mast/fork carriage forward/backward	α/β	°	
4.2		Collapsed Height	h ₁	in.		88.2
4.3		Free lift	h ₂	in.		47.8
4.4		Maximum fork height	h ₃	in.		189
4.5		Height, mast extended with Std. LBR	h ₄	in.		230
4.7		Height of overhead guard (cabin)	h ₆	in.		81.8
4.8		Seat height/standing height	h ₇	in.		41.7
4.12		Tow coupling height	h ₁₀	in.		23.6
4.19		Overall length	l ₁	in.		111.5
4.20		Length to face of forks	l ₂	in.		75.3
4.21		Overall width	b ₁ /b ₂	in.		43.3
4.22		Fork dimensions	s×e×l	in.		1.6×3.9×42
4.23		A,B Fork carriage class/type A, B				2A
4.24		Fork carriage width	b ₃	in.		40.9
4.31		Ground clearance, laden, below mast	m ₁	in.		3.5
4.32		Ground clearance, center of wheelbase	m ₂	in.		3.6
4.34.1		Right Angle Stack (x +wa)	Ast	in.		77.6
4.34.2		Minimum Aisle Width (Right Angle Stack + Load Length + Clearance)	Ast	in.		137.6
4.35		Turning radius	Wa	in.		61
Performance data	5.1	Travel speed, loaded/unloaded		mph		8/8.7
	5.2	Lifting speed, loaded/unloaded		fpm		65/88.6
	5.3	Lowering speed, loaded/unloaded		fpm		78.7/86.6
	5.8	Max. gradeability, loaded/unloaded		%		10/15
	5.10	Service brake				Hydraulic-Wet Disc
	5.11	Parking brake				Mechanical
Electric-engine	6.1	Drive motor rating S2 60 min		kW		5.0X2
	6.2	Lift motor rating at S3 15%		kW		11
	6.4	Battery voltage/nominal capacity		V/Ah		80V/230Ah
	6.5	Battery weight		lb.		485 min
	6.6	Energy consumption according to DIN EN 16796		kWh		4.48 ¹⁾
	6.7	Turnover output according to VDI 2198		lb/h		108
	6.8	Turnover efficiency according to VDI 2198		lb/kWh		24.11
	8.1	Type of drive control				AC
Additional data	10.1	Operating Pressure for Attachments		PSI		
	10.5	Steering design				Hydraulic
	10.7	Sound pressure level at the driver's ear		dB(A)		70
	15.1	Charger output current		A		15, 35, 100

If there are improvements of technical parameters or configurations, no further notice will be given.

The diagram shown may contain non-standard configurations.

Minimum Aisle Width uses 48" for load length and 12" for Clearance.



Mast Options

Mast types	Maximum Fork Height (h3)	Mast Dimensions			Free Lift(h2)	
		Collapsed Height(h1)	Extended Height(h4)		No LBR	W/ STD. LBR
	No LBR		W/ STD. LBR	in		
3-Free Mast	189	88.2	218.1	230.5	60.2	47.8
	197	90.7	226	238.4	62.8	50.4