



# RSC082/122/152

## Electric Counterbalance Stacker

### 800/1200/1500kg



- Universal stacker for all kind of pallets, box and cages
- Proportional lifting system offering utmost precision
- Foldable platform for long travelling without operator effort
- High ground clearance for smooth travel on uneven surfaces
- Compact size for great maneuverability



Manufacturer			EP	EP	EP
Model designation			RSC082	RSC122	RSC152
Drive			Electric	Electric	Electric
Load capacity	Q	kg	800	1200	1500
Load center distance	c	mm	400	500	500
Service weight			1760	1890	2160
Retracted mast height	h1	mm	2061	2061	2018
Lift height	h3	mm	3000	3000	3000
Length to face of forks	l2	mm	1334	1598	1898
Overall width			900	900	900
Fork dimensions	s/e/l	mm	35*100*1070	35*100*1070	40*100*1070
Turning radius			1250	1510	1707
Max. gradeability, laden/unladen			5/8	5/8	5/8
Travel speed, laden/unladen			5.5/6	5.5/6	5.5/6
Lifting speed, laden/unladen			0.13/0.2	0.13/0.2	0.13/0.2
Lowering speed, laden/unladen			0.16/0.15	0.16/0.15	0.16/0.15
Battery voltage/nominal capacity			24/210	24/210	24/210



## FEATURE

### ■ Universal for various size of pallets

The RSC series provides all the versatility for various kinds of pallets and loads and operators are allowed to transport loads of special sizes. This can help accelerate goods circulation and improves productivity. Besides, the RSC122/152 offers sensitive mast tilting as standard, which delivers more convenience to pallet stacking, compared to regular stackers.



### ■ Proportional lifting system offering utmost precision

The RSC series comes with the proportional lifting system as standard and enables the operator to stack and retrieve pallets more precisely and gently in multi-level racking.





■ High ground clearance for smooth travel on uneven surfaces

The RSC series offers a high ground clearance 116mm, which makes it easy to travel on uneven surfaces.



■ Compact size for great maneuverability

The RSC082/122/152 features a compact size, with the turning radius 1250/1510/1707mm, and it can navigate the narrow aisles easily in confined warehouse areas.



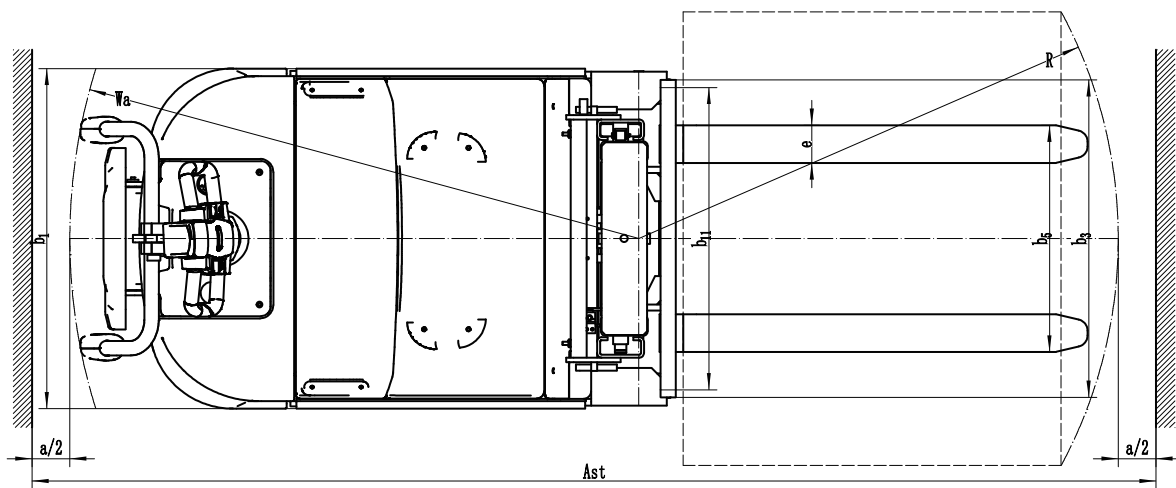
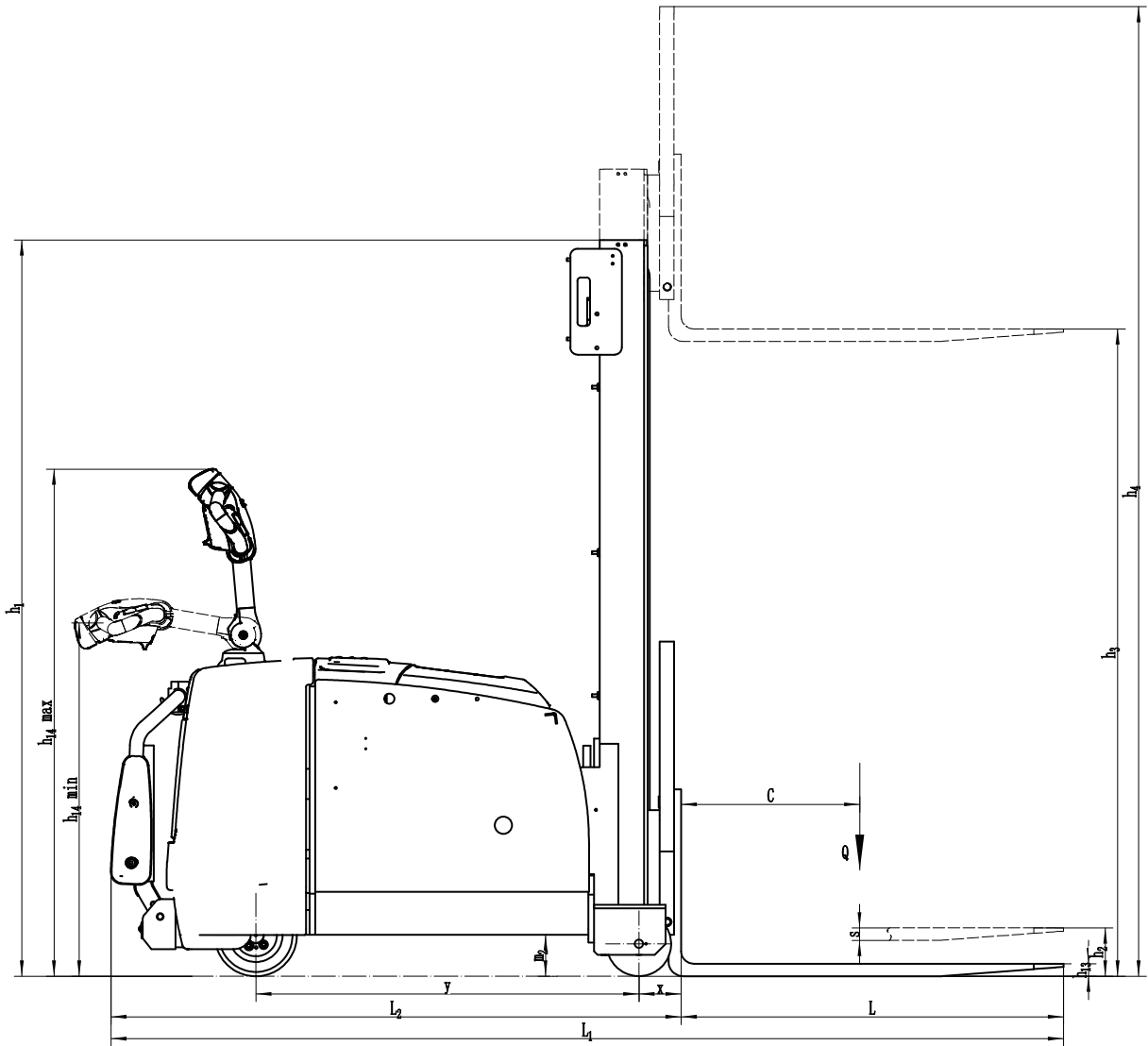
# Electric Counterbalance Stacker 800/1200/1500kg

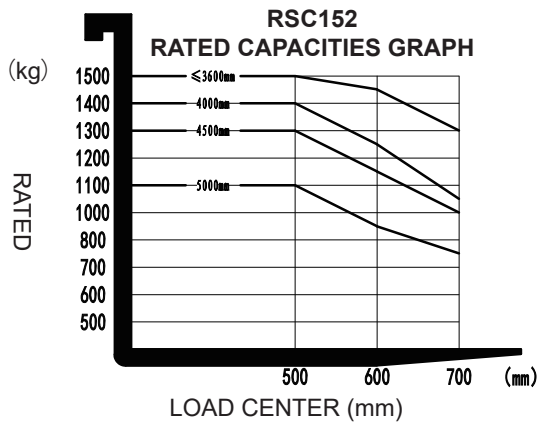
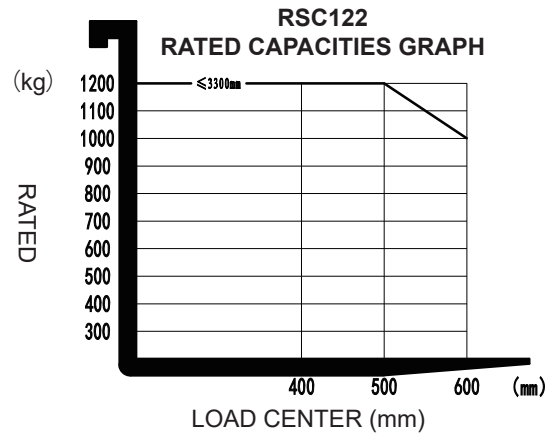
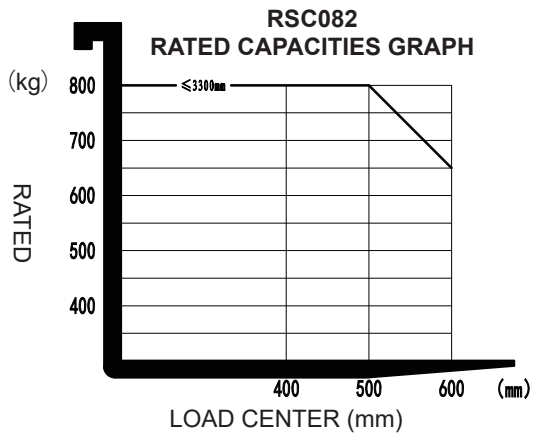
## RCS082/122/152

Distinguishing mark	1.1	Manufacturer			EP	EP	EP
	1.2	Model designation			RSC082	RSC122	RSC152
	1.3	Drive			Electric	Electric	Electric
	1.4	Operator type			Pedestrian	Pedestrian	Pedestrian
	1.5	Load capacity	Q	kg	800	1200	1500
	1.6	Load center distance	c	mm	400	500	500
	1.8	Load distance, centre of drive axle to fork	x	mm	118	118	215
	1.9	Wheelbase	y	mm	810	1074	1125
	Service weight	2.1	Service weight		kg	1760	1890
2.2		Axle loading, laden front/rear		kg	570/1990	420/2670	440/3220
2.3		Axle loading, unladen front/rear		kg	1180/580	1110/780	1300/860
Tyres/chassis	3.1	Tyre type			Polyurethane	Polyurethane	Polyurethane
	3.2	Tyre size, front			230×90	230×90	230×90
	3.3	Tyre size, rear			180×65	180×65	254×102
	3.5	Wheels, number front/rear (x=drive wheels)		mm	1x/2	1x/2	1x/2
	3.7	Tread width, rear	b <sub>11</sub>	mm	778	778	787
Dimensions	4.1	Tilt of mast/fork carriage forward/backward	α/β	°	—	—	1.5/7
	4.2	Retracted mast height	h <sub>1</sub>	mm	2061	2061	2018
	4.3	Free lift	h <sub>2</sub>	mm	—	—	150
	4.4	Lift height	h <sub>3</sub>	mm	3000	3000	3000
	4.5	Height, mast extended	h <sub>4</sub>	mm	3908	3908	3915
	4.8	Seat height/standing height	h <sub>7</sub>	mm	148	148	148
	4.19	Overall length	l <sub>1</sub>	mm	2404	2668	2968
	4.20	Length to face of forks	l <sub>2</sub>	mm	1334	1598	1898
	4.21	Overall width	b <sub>1</sub> /b <sub>2</sub>	mm	900	900	900
	4.22	Fork dimensions	s×e×l	mm	35×100×1070	35×100×1070	40×100×1070
	4.23	A,B Fork carriage class/type A, B			2A	2A	2A
	4.24	Fork carriage width	b <sub>3</sub>	mm	620	620	800
	4.31	Ground clearance, laden, below mast	m <sub>1</sub>	mm	60	60	80
	4.32	Ground clearance, center of wheelbase	m <sub>2</sub>	mm	116	116	116
	Performance data	4.34.1	Aisle width for pallets 1000×1200 crossways	A <sub>st</sub>	mm	2719	2979
4.34.2		Aisle width for pallets 800×1200 lengthways	A <sub>st</sub>	mm	2828	3088	3380
4.35		Turning radius	W <sub>a</sub>	mm	1250	1510	1707
5.1		Travel speed, laden/unladen		km/h	5.5/6	5.5/6	5.5/6
5.2		Lifting speed, laden/unladen		m/s	0.13/0.2	0.13/0.2	0.13/0.2
5.3		Lowering speed, laden/unladen		m/s	0.16/0.15	0.16/0.15	0.16/0.15
5.8		Max. gradeability, laden/unladen		%	—	—	5/8
Electric-engine	5.10	Service brake			Electromagnetic	Electromagnetic	Electromagnetic
	5.11	Parking brake			Electromagnetic	Electromagnetic	Electromagnetic
	6.1	Drive motor rating S2 60 min		kW	1.6	1.6	1.6
	6.2	Lift motor rating at S3 15%		kW	2.2	2.2	3.0
	6.4	Battery voltage/nominal capacity		V/Ah	24/210	24/210	24/210
Addition data	6.5	Battery weight		kg	190	190	190
	8.1	Type of drive control			AC	AC	AC
	10.5	Steering design			Electronic	Electronic	Electronic
	10.7	Sound pressure level at the driver's ear		dB(A)	74	74	74
	15.1	Charger output current		A	30	30	30

If there are improvements of technical parameters or configurations, no further notice will be given.  
The diagram shown may contain non-standard configurations.







## Mast Options

### RSC082/122

Mast types	Lift height ( h3 )	Height, Mast		
		Height, mast lowered(h1)	Height, mast extended(h4)	
			No backrest	With backrest
mm	mm	mm	mm	
2-Standard Mast	2000	1561	2546	2908
	2500	1811	3046	3408
	2700	1911	3246	3608
	3000	2061	3546	3908
	3300	2211	3849	4211

### RSC152

Mast types	Lift height ( h3 )	Height, Mast		Height, Free lift(h2)
		Height, mast lowered(h1)	Height, mast extended(h4)	With shelving
			With shelving	
mm	mm	mm	mm	
2-Standard Mast	2600	1838	3555	150
	3000	2018	3915	150
	3200	2118	4115	150
	3600	2303	4505	150
	3900	2453	4805	150
3-Free Mast	4000	1822	4915	904
	4500	2022	5415	1104
	4800	2122	5715	1204
	5000	2187	5915	1274



# Option

Optional items	RSC082	RSC122	RSC152
Fork dimension	○900*600、2A、100*35*920 ●900*600、2A、100*35*1070 ○900*600、2A、100*40*1150 ○900*600、2A、100*40*1220 ○900*600、2A、100*40*1370 ○900*600、2A、100*40*1520	○900*600、2A、100*35*920 ●900*600、2A、100*35*1070 ○900*600、2A、100*40*1150 ○900*600、2A、100*40*1220 ○900*600、2A、100*40*1370 ○900*600、2A、100*40*1520	○900*600、2A、100*40*920 ●900*600、2A、100*40*1070 ○900*600、2A、100*40*1150 ○900*600、2A、100*40*1220 ○900*600、2A、100*40*1370 ○900*600、2A、100*40*1520
Fork lowered height	●60	●60	●60
Fork carriage width	●620	●620	●780○915○1067○1220
Backrest height	●762	●762	●915 (36in) ○1220 (48in)
Load wheel material	●PU	●PU	●PU
Drive wheel material	●PU	●PU	●PU
Battery capacity	●210Ah ○205Ah (Li-ion)	●210Ah ○205Ah (Li-ion)	●210Ah○280Ah○345Ah ○205Ah (Li-ion)
Charger	●24V-30A External (Lead Acid) ○24V-100A External (Li-ion)	●24V-30A External (Lead Acid) ○24V-100A External (Li-ion)	●24V-30A External (Lead Acid) ○24V-50A External (Lead Acid) ○24V-50A External (Li-ion) ○24V-100A External (Li-ion)
Battery indicator	●With hourmeter (Bluetooth)	●With hourmeter (Bluetooth)	●With hourmeter (Bluetooth)
Attachments	●No	●No	●No ○External shifter ○Fork positioner
Foldable fork	●No○Yes and can be customized	●No○Yes and can be customized	●No
Auto battery watering system	●No○Yes and not customized	●No○Yes and not customized	●No○Yes and not customized
Warning lamp	●No○Yes and not customized	●No○Yes and not customized	●No○Yes and not customized
Blue lamp	●No○Yes and not customized	●No○Yes and not customized	●No○Yes and not customized
Area warning lamp	●No○Yes and not customized	●No○Yes and not customized	●No○Yes and not customized
Rearview mirror	●No	●No	●No
Buzzer	●No○Yes and not customized	●No○Yes and not customized	●No○Yes and not customized
Telematics	●No○Yes and not customized	●No○Yes and not customized	●No○Yes and not customized
Swipe card device	●No○Yes and not customized	●No○Yes and not customized	●No○Yes and not customized
Pin Code	●No ○Yes and not customized	●No○Yes and not customized	●No○Yes and not customized
Side supports	○No●Yes and not customized	○No●Yes and not customized	○No●Yes and not customized
Foldable pedals	○No●Yes and not customized	○No●Yes and not customized	○No●Yes and not customized
Proportional lift system	●Yes and not customized	●Yes and not customized	●Yes and not customized
Forks tilt forward and backward	●No○Yes and not customized	●Yes and not customized	●Yes and not customized
Note:	●Standard ○Optional - Inconformity		