

EPX5-301,351,381



Electric Counterbalance Forklift Truck 3000-3800kg



- Modular battery design for flexible battery capacity adjustment
- One standard battery module allows for individual use and pairwise combination
- Lithium technology with opportunity charging and zero maintenance
- High travelling and lifting speed and strong gradeability for maximum efficiency
- 150mm ground clearance and big tyres to work on all surfaces
- Improved key components: mast, lights, seat, display and controls

| Manufacturer | | | EP | EP | EP |
|----------------------------------|-------|------|-------------|-------------|-------------|
| Model designation | | | EPX5-301 | EPX5-351 | EPX5-381 |
| Drive | | | Electric | Electric | Electric |
| Load capacity | Q | kg | 3000 | 3500 | 3800 |
| Load center distance | c | mm | 500 | 500 | 500 |
| Service weight | | kg | 4820 | 5020 | 5350 |
| Retracted mast height | h1 | mm | 2070 | 2070 | 2160 |
| Lift height | h3 | mm | 3000 | 3000 | 3000 |
| Height, mast extended | h4 | mm | 4130 | 4130 | 4095 |
| Length to face of forks | l2 | mm | 2749 | 2749 | 2780 |
| Overall width | b1/b2 | mm | 1230 | 1230 | 1250 |
| Fork dimensions | s×e×l | mm | 45×122×1070 | 50×122×1070 | 50×122×1070 |
| Turning radius | Wa | mm | 2498 | 2503 | 2524 |
| Travel speed, laden/unladen | | km/h | 16/17 | 16/17 | 15/16 |
| Lifting speed, laden/unladen | | m/s | 0.45/0.55 | 0.44/0.55 | 0.43/0.52 |
| Lowering speed, laden/unladen | | m/s | 0.5/0.44 | 0.5/0.44 | 0.5/0.4 |
| Max. gradeability, laden/unladen | | % | 20/25 | 18/25 | 16/20 |
| Drive motor rating S2 60 min | | kW | 16 | 16 | 16 |
| Battery voltage/nominal capacity | | V/Ah | 80V280AH | 80V280AH | 80V280AH |

Modular Li-ion battery design for maximum flexibility

The EFX5 series features a modular Li-ion battery design and offers one standard lithium battery module of 280Ah. The truck can accommodate up to two battery modules and through pairwise combination, you can get one more battery capacity 560Ah. This allows for flexibly adjusting battery capacities to meet different application requirements from light to heavy duties.



■ Optimize stock management

Modular battery design enables offering medium to high battery capacities in one truck to fit various endurance demands. This helps dealers reduce fixed assets, manage stockpile effectively and respond quickly to different users needs by simply installing the second battery module.



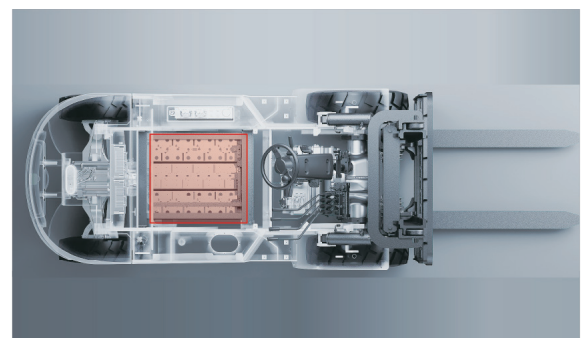
■ Longer endurance in peak season

The user needs in terms of daily usage of the truck may change over the years or there may be a peak during harvesting or on a specific season. The modular battery system makes it easy to retrofit an additional battery, providing additional sales or short-term rental opportunities.



■ Ensure uninterrupted operation

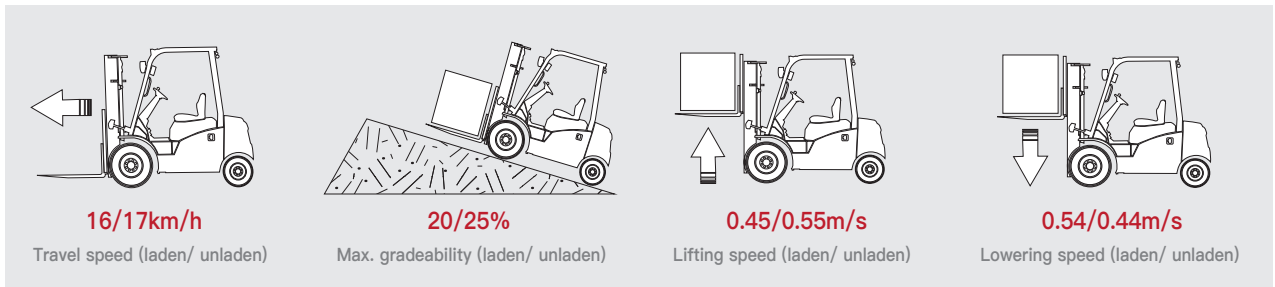
Double batteries mean double guarantee. When one battery is down, another one can seamlessly power the EFX5 truck, minimizing downtime risks associated with battery and ensuring continuous, smooth handling operation.



FEATURE

High performance for productivity boost

The EFX5 series demonstrates high performance comparable to EFL303S to enhance goods turnover efficiency.



Lithium technology with opportunity charging

The EFX5 series is designed around the advantages of lithium technology and meets the requirements of sustainable development. It supports opportunity charging and zero maintenance to minimize downtime.



Higher ground clearance for all terrain challenges

The EFX5 series provides higher ground clearance of 150mm and big tyres, protecting the forklift from getting stuck on ramps, potholes and mud. It's a workhorse to handle loads on all terrains.



Improved components for easy, safe and comfortable operation

The EFX5 series is equipped with improved components such as the new triplex mast with high visibility, the new seat with armrest, the new LED front lights, the wider brake pedal and the large LED display.

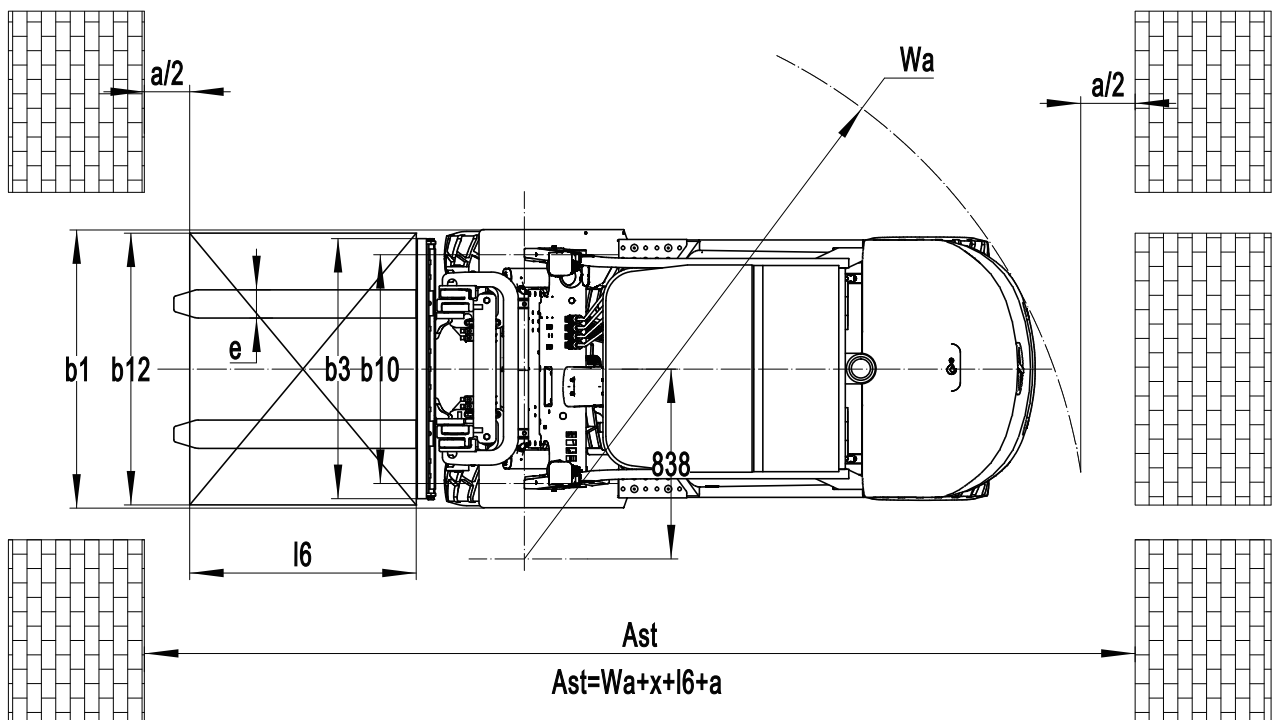
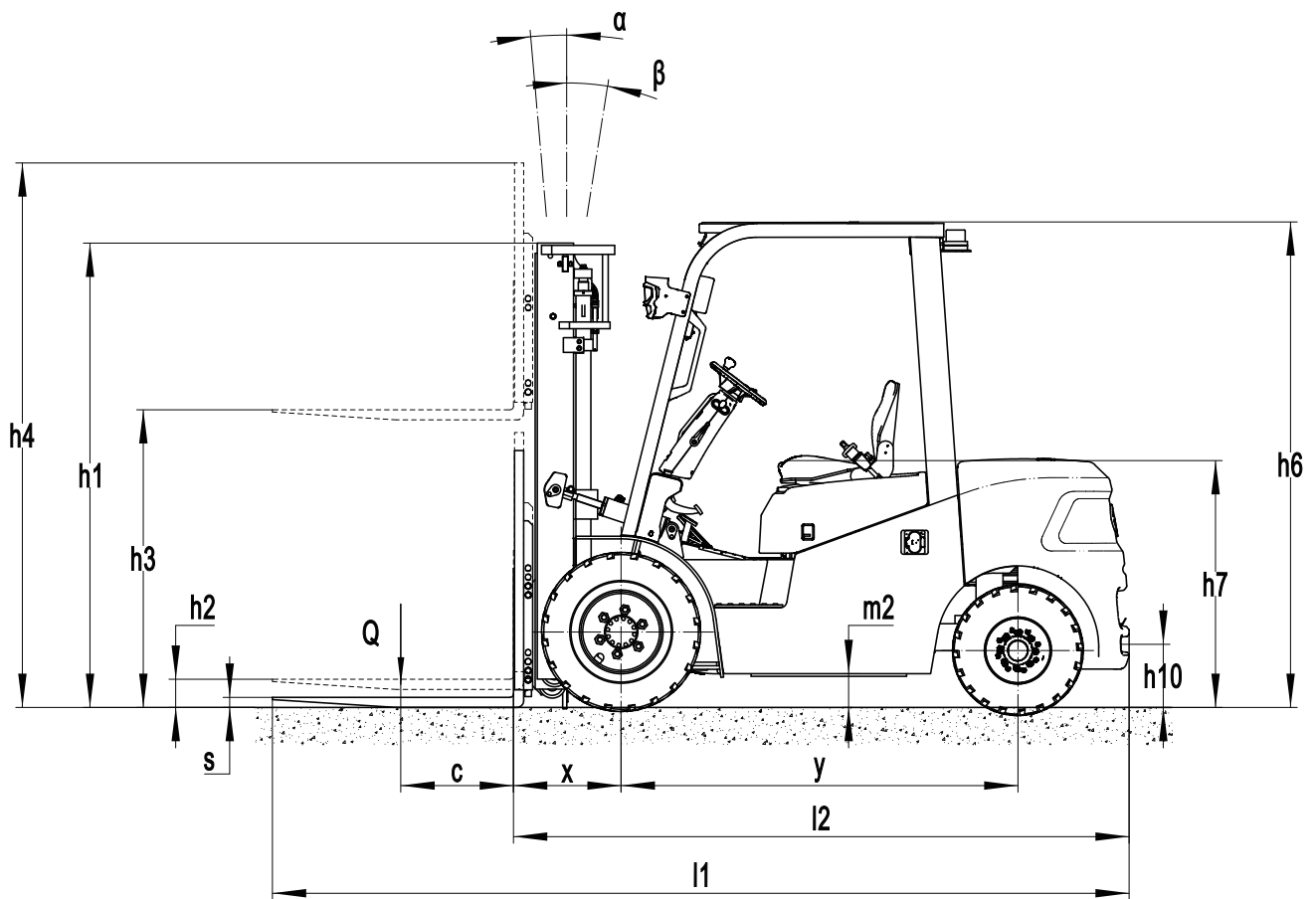


Electric Counterbalance Forklift Truck 3000-3800kg

EFX5-301,351,381

| | | | | | | | |
|----------------------|---------------------------------------------|---------------------------------------------|---------------------------------------------|----------------|--------------|--------------|--------------|
| Distinguishing mark | 1.1 | Manufacturer | | | EP | EP | EP |
| | 1.2 | Model designation | | | EFX5-301 | EFX5-351 | EFX5-381 |
| | 1.3 | Drive | | | Electric | Electric | Electric |
| | 1.4 | Operator type | | | Seated | Seated | Seated |
| | 1.5 | Load capacity | Q | kg | 3000 | 3500 | 3800 |
| | 1.6 | Load center distance | c | mm | 500 | 500 | 500 |
| | 1.8 | Load distance, centre of drive axle to fork | x | mm | 481 | 486 | 486 |
| | 1.9 | Wheelbase | y | mm | 1760 | 1760 | 1760 |
| | Service weight | 2.1 | Service weight | | | 4820 | 5020 |
| 2.2 | | Axle loading, laden front/rear | | | 6510/1310 | 7290/1230 | 7910/1240 |
| 2.3 | | Axle loading, unladen front/rear | | | 1835/2985 | 1810/3210 | 1950/3400 |
| Tyres/chassis | 3.1 | Tyre type | | | Pneumatic | Pneumatic | Solid rubber |
| | 3.2 | Tyre size, front | | | 28X9-15-14PR | 28X9-15-14PR | 250-15 |
| | 3.3 | Tyre size, rear | | | 6.50-10-10PR | 6.50-10-10PR | 6.50-10 |
| | 3.5 | Wheels, number front/rear (x=drive wheels) | | mm | 2x/ 2 | 2x/ 2 | 2x/ 2 |
| | 3.6 | Tread width, front | b ₁₀ | mm | 1010 | 1010 | 1010 |
| | 3.7 | Tread width, rear | b ₁₁ | mm | 980 | 980 | 980 |
| | Dimensions | 4.1 | Tilt of mast/fork carriage forward/backward | α/β | ° | 6/ 10 | 6/ 10 |
| 4.2 | | Retracted mast height | h ₁ | mm | 2070 | 2070 | 2160 |
| 4.3 | | Free lift | h ₂ | mm | 130 | 130 | 120 |
| 4.4 | | Lift height | h ₃ | mm | 3000 | 3000 | 3000 |
| 4.5 | | Height, mast extended | h ₄ | mm | 4130 | 4130 | 4095 |
| 4.7 | | Height of overhead guard (cabin) | h ₆ | mm | 2160 | 2160 | 2160 |
| 4.8 | | Seat height/standing height | h ₇ | mm | 1095 | 1095 | 1095 |
| 4.12 | | Tow coupling height | h ₁₀ | mm | 280 | 280 | 280 |
| 4.19 | | Overall length | l ₁ | mm | 3819 | 3819 | 3850 |
| 4.20 | | Length to face of forks | l ₂ | mm | 2749 | 2749 | 2780 |
| 4.21 | | Overall width | b ₁ /b ₂ | mm | 1230 | 1230 | 1250 |
| 4.22 | | Fork dimensions | s×e×l | mm | 45×122×1070 | 50×122×1070 | 50×122×1070 |
| 4.23 | | A,B Fork carriage class/type A, B | | | 3A | 3A | 3A |
| 4.24 | | Fork carriage width | b ₃ | mm | 1100 | 1100 | 1100 |
| 4.31 | | Ground clearance, laden, below mast | m ₁ | mm | 120 | 120 | 120 |
| 4.32 | | Ground clearance, center of wheelbase | m ₂ | mm | 150 | 150 | 150 |
| 4.34.1 | | Aisle width for pallets 1000×1200 crossways | A _{st} | mm | 4179 | 4184 | 4210 |
| 4.34.2 | Aisle width for pallets 800×1200 lengthways | A _{st} | mm | 4379 | 4384 | 4410 | |
| 4.35 | Turning radius | W _a | mm | 2498 | 2503 | 2524 | |
| Performance data | 5.1 | Travel speed, laden/unladen | | km/h | 16/17 | 16/17 | 15/16 |
| | 5.2 | Lifting speed, laden/unladen | | m/s | 0.45/0.55 | 0.44/0.55 | 0.43/0.52 |
| | 5.3 | Lowering speed, laden/unladen | | m/s | 0.5/0.44 | 0.5/0.44 | 0.5/0.4 |
| | 5.8 | Max. gradeability, laden/unladen | | % | 20/25 | 18/25 | 16/20 |
| | 5.10 | Service brake | | | Hydraulic | Hydraulic | Hydraulic |
| | 5.11 | Parking brake | | | Mechanical | Mechanical | Mechanical |
| Electric engine | 6.1 | Drive motor rating S2 60 min | | kW | 16 | 16 | 16 |
| | 6.2 | Lift motor rating at S3 15% | | kW | 24 | 24 | 24 |
| | 6.4 | Battery voltage/nominal capacity | | V/Ah | 80V/280AH | 80V/280AH | 80V/280AH |
| Drive/lift mechanism | 8.1 | Type of drive control | | | AC | AC | AC |
| Additional data | 10.5 | Steering design | | | Hydraulic | Hydraulic | Hydraulic |
| | 10.7 | Sound pressure level at the driver's ear | | dB(A) | < 74 | < 74 | < 74 |

If there are improvements of technical parameters or configurations, no further notice will be given.
The diagram shown may contain non-standard configurations.



Mast Option

EFX5-301-351

| Mast types | Lift height (h3) | Height, Mast | | | Height, Free lift(h2) | |
|-----------------|-----------------------|-----------------------------|---------------------------|------|-----------------------|---------------|
| | | Height, mast lowered(h1) | Height, mast extended(h4) | | No shelving | With shelving |
| | No shelving | | With shelving | mm | | |
| | mm | mm | mm | mm | mm | mm |
| 2-Standard Mast | 2700 | 1910 | 3425 | 3830 | 130 | 130 |
| | 3000 | 2070 | 3725 | 4130 | 130 | 130 |
| | 3300 | 2210 | 4025 | 4430 | 130 | 130 |
| | 3500 | 2310 | 4225 | 4630 | 130 | 130 |
| | 3600 | 2360 | 4325 | 4730 | 130 | 130 |
| | 4000 | 2610 | 4725 | 5130 | 130 | 130 |
| | 4300 | 2760 | 5025 | 5430 | 130 | 130 |
| | 4500 | 2860 | 5225 | 5630 | 130 | 130 |
| 2-Free Mast | 3000 | 2040 | 3770 | 4175 | 1350 | 945 |
| | 3300 | 2190 | 4070 | 4475 | 1500 | 1095 |
| | 3600 | 2340 | 4370 | 4775 | 1650 | 1245 |
| 3-Free Mast | 4300 | 2080 | 5030 | 5435 | 1390 | 985 |
| | 4500 | 2160 | 5270 | 5675 | 1470 | 1065 |
| | 4800 | 2265 | 5530 | 5935 | 1575 | 1170 |
| | 5000 | 2350 | 5720 | 6125 | 1660 | 1255 |
| | 5500 | 2600 | 6220 | 6625 | 1910 | 1505 |
| | 6000 | 2850 | 6720 | 7125 | 2160 | 1755 |

EFX5-381

| Mast types | Lift height (h3) | Height, Mast | | | Height, Free lift(h2) | |
|-----------------|-----------------------|-----------------------------|---------------------------|------|-----------------------|---------------|
| | | Height, mast lowered(h1) | Height, mast extended(h4) | | No shelving | With shelving |
| | No shelving | | With shelving | mm | | |
| | mm | mm | mm | mm | mm | mm |
| 2-Standard Mast | 3000 | 2160 | 3630 | 4095 | 120 | 120 |
| | 3300 | 2310 | 3930 | 4395 | 120 | 120 |
| | 3500 | 2410 | 4130 | 4595 | 120 | 120 |
| | 3600 | 2460 | 4230 | 4695 | 120 | 120 |
| | 3700 | 2510 | 4330 | 4795 | 120 | 120 |
| | 4000 | 2710 | 4630 | 5095 | 120 | 120 |
| | 4300 | 2860 | 4930 | 5395 | 120 | 120 |
| | 4500 | 2960 | 5130 | 5595 | 120 | 120 |

Option:

| Optional items | EFX5-301 | EFX5-351 | EFX5-381 |
|------------------------------------------------|----------------------------------------------------------------------------------------------------------------------------------------------------------|----------------------------------------------------------------------------------------------------------------------------------------------------------|----------------------------------------------------------------------------------------------------------------------------------------------------------|
| Fork dimension | ●122*45*1070○122*45*1150 ○122*45*1220○122*45*1370 ○122*45*1520○122*45*1600 ○122*45*1700○122*45*1820 ○122*45*2000○122*45*2200 ○122*45*2400 | ●122*50*1070○122*50*1150 ○122*50*1220○122*50*1370 ○122*50*1520○122*50*1600 ○122*50*1700○122*50*1820 ○122*50*2000○122*50*2200 ○122*50*2420 | ●122*50*1070○122*50*1150 ○122*50*1220○122*50*1370 ○122*50*1520○122*50*1600 ○122*50*1700○122*50*1820 ○122*50*2000○122*50*2200 ○122*50*2420 |
| Front wheel material | ○Pneumatic○Normal solid ○Traceless solid | ○Pneumatic○Normal solid ○Traceless solid | ○Normal solid ○Traceless solid |
| Rear wheel material | ○Pneumatic○Normal solid ○Traceless solid | ○Pneumatic○Normal solid ○Traceless solid | ○Normal solid ○Traceless solid |
| Battery capacity | ●80V280AH○80V280AH*2 | ●80V280AH○80V280AH*2 | ●80V280AH○80V280AH*2 |
| Charger | ○80V60A External○80V100A External ○80V150A External○80V200A External | ○80V60A External○80V100A External ○80V150A External○80V200A External | ○80V60A External○80V100A External ○80V150A External○80V200A External |
| Battery display indicator (BDI) | ●With hourmeter (Bluetooth) without PSE | ●With hourmeter (Bluetooth) without PSE | ●With time (Bluetooth) without PSE |
| Seat type | ○Comfortable + safety belt switch ○Seat with armrest with safety belt switch | ○Comfortable + safety belt switch ○Seat with armrest with safety belt switch | ○Comfortable + safety belt switch ○Seat with armrest with safety belt switch |
| Attachments | ○Built-in sideshifter○External shifter ○Fork positioner with sideshift | ○Built-in sideshifter○External shifter ○Fork positioner with sideshift | ○Built-in sideshifter○External shifter ○Fork positioner with sideshift |
| Clamp interlock | ●No | ●No | ●No |
| Traction pin | ●Yes and not customized | ●Yes and not customized | ●Yes and not customized |
| Anti-static chain | ●Yes and not customized | ●Yes and not customized | ●Yes and not customized |
| Front lamp | ●LED | ●LED | ●LED |
| Rear lamp | ●No○LED | ●No○LED | ●No○LED |
| Warning lamp | ●Yes and not customized | ●Yes and not customized | ●Yes and not customized |
| Turn signal light | ●LED | ●LED | ●LED |
| Blue lamp | ●No○Rear○Front and rear | ●No○Rear○Front and rear | ●No○Rear○Front and rear |
| Area warning lamp | ●No○Both side○Both side and rear | ●No○Both side○Both side and rear | ●No○Both side○Both side and rear |
| Rearview mirror | ●One on the front○Two on sides ○Two on sides and one on the front | ●One on the front○Two on sides ○Two on sides and one on the front | ●One on the front○Two on sides ○Two on sides and one on the front |
| Buzzer | ●Yes and not customized | ●Yes and not customized | ●Yes and not customized |
| OPS system | ●Yes and not customized | ●Yes and not customized | ●Yes and not customized |
| USB interface | ●Yes and not customized | ●Yes and not customized | ●Yes and not customized |
| Telematics | ●Yes and not customized○No | ●Yes and not customized○No | ●Yes and not customized○No |
| Heating system during lithium battery charging | ●No○Yes and not customized | ●No○Yes and not customized | ●No○Yes and not customized |
| Operator identification device | ●No○Swipe card device | ●No○Swipe card device | ●No○Swipe card device |
| Lifting electronic limit | ●No○Yes and not customized | ●No○Yes and not customized | ●No○Yes and not customized |
| Hydraulic control | ●Mechanical lever | ●Mechanical lever | ●Mechanical lever |
| Rear armrest horn | ●Yes and not customized | ●Yes and not customized | ●Yes and not customized |
| Cabin | ●No | ●No | ●No |
| Overhead guard | ●With stalinite○No | ●With stalinite○No | ●With stalinite○No |
| Note: | ●Standard ○ Optional - Inconformity | | |