

EP
Let's grow together

EFL252X3

2500kg Li-ion Counterbalance Forklift



- High ground clearance and big tyres to operate on uneven surfaces
- PMSM technology for better efficiency and performance
- Removable Li-ion battery fitting multi-shift operation better
- All-rounder both for indoor and outdoor usage
- Ergonomic zone for fatigue-free work
- 80V Li-Ion battery grant efficiency, good autonomy and opportunity charging
- Single phase integrated charger with 16A plug



Manufacturer				EP
Model designation				EFL252X3
Drive				Electric
Load capacity	Q	kg	2500	
Load center distance	c	mm	500	
Service weight			kg	4255
Retracted mast height	h1	mm	2070	
Lift height	h3	mm	3000	
Height, mast extended	h4	mm	4175	
Length to face of forks	l2	mm	2541	
Overall width	b1/b2	mm	1154	
Fork dimensions	s/e/l	mm	50×122×1070	
Turning radius	Wa	mm	2250	
Travel speed, laden/unladen			km/h	11/12
Lifting speed, laden/unladen			m/s	0.28/0.36
Lowering speed, laden/unladen			m/s	0.4/0.43
Max. gradeability, laden/unladen			%	15/15
Drive motor rating S2 60 min			kW	8
Battery voltage/nominal capacity			V/Ah	80V/150AH

FEATURE

■ PMSM technology for better efficiency and performance

The EFL252X3 adopts permanent magnet synchronous motor (PMSM) technology to deliver longer battery life. This efficiency optimization motor brings better energy savings and maximizes the battery uptime at optimal working scenarios by 10% comparing to regular motors.



PMSM



Longer
uptime



Energy
saving



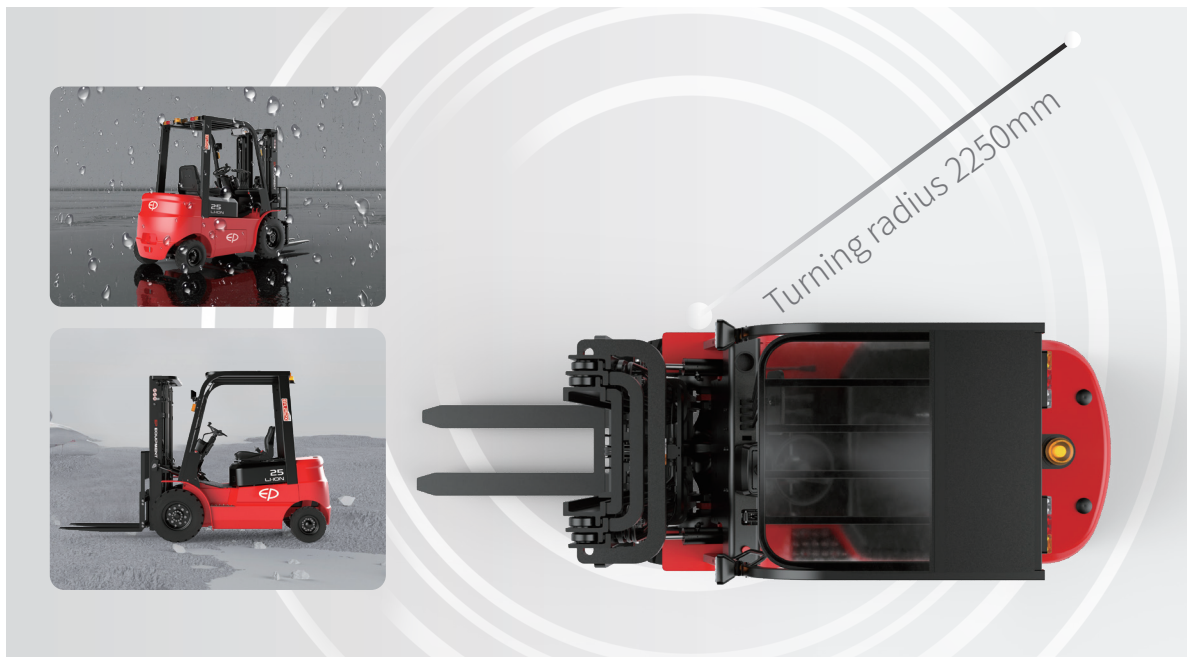
■ Removable Li-ion battery offering convenience for daily usage

The EFL252X3 is designed around the advantages of lithium technology, equipped with removable 80V/150Ah Li-ion battery as standard and bigger battery up to 80V/280Ah as option. It allows for not only opportunity charging and zero maintenance, but also being laterally pulled and replaced easily, which makes it a helper for rugged environments that lack of charging facilities.



■ All-rounder for both indoor and outdoor usage

The compact EFL252X3 features a small turning radius 2250mm, and its agility ensures handling capacities in tight spaces and narrow aisles. Besides, the EFL252X3 is water-protected and can be operated outdoors, even in the rain.



■ Ergonomic zone for fatigue-free work

The EFL252X3 comes offers a spacious workspace, with a simplified panel, an adjustable steering wheel and a comfortable pedal. All are designed in line with ergonomic considerations for operation comfort.

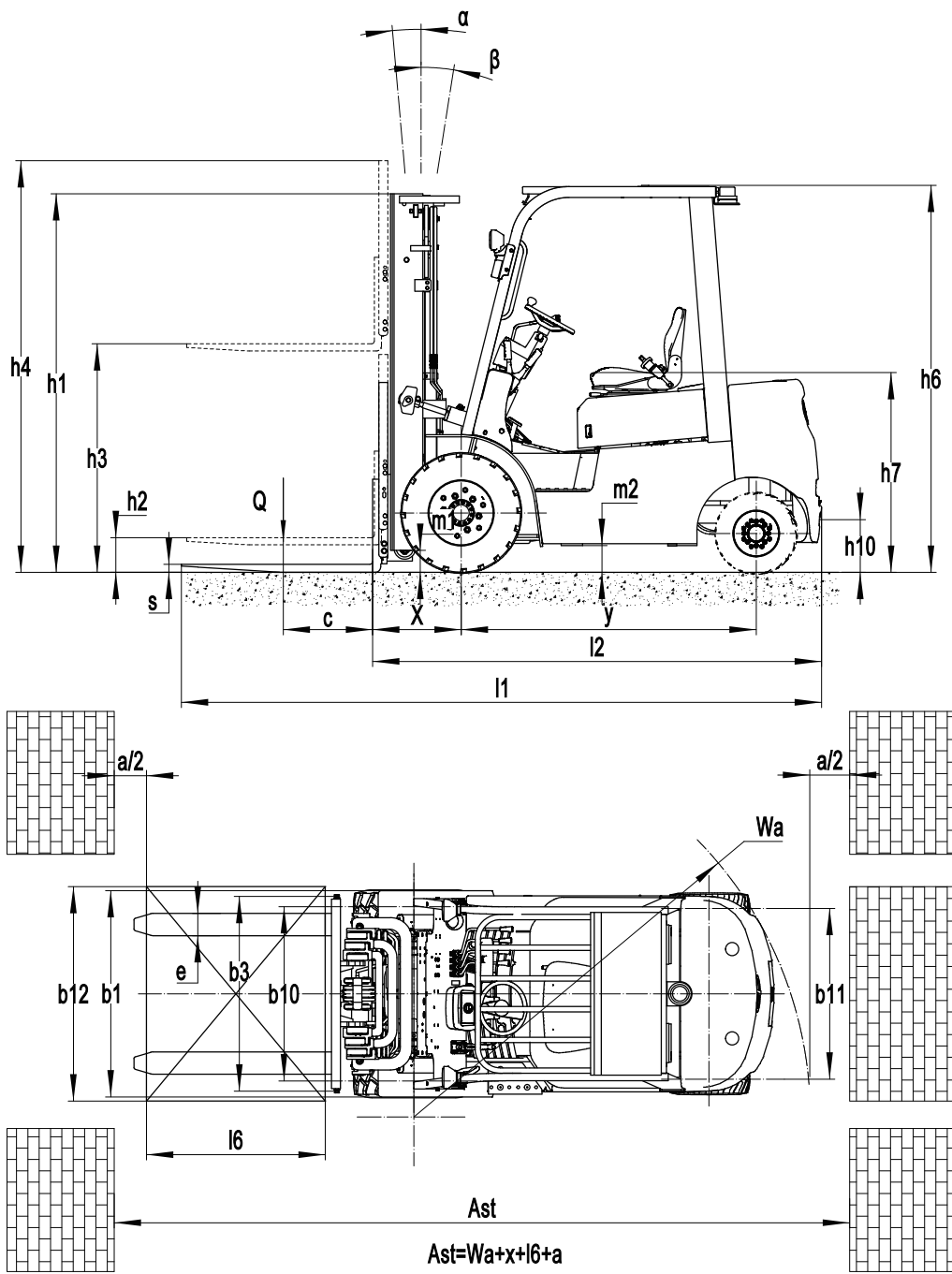


2.5ton Li-ion Counterbalance Forklift Truck

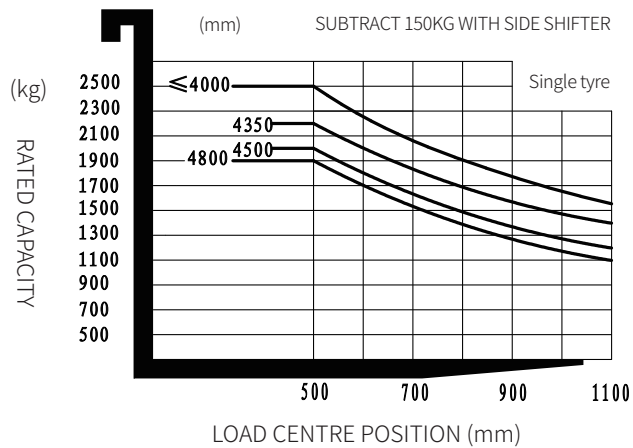
EFL252X3

Distinguishing mark	1.1	Manufacturer			EP
	1.2	Model designation			EFL252X3
	1.3	Drive			Electric
	1.4	Operator type			Seated
	1.5	Load capacity	Q	kg	2500
	1.6	Load center distance	c	mm	500
	1.8	Load distance, centre of drive axle to fork	x	mm	486
	1.9	Wheelbase	y	mm	1650
	Service weight	2.1	Service weight		kg
2.2		Axle loading, laden front/rear		kg	6925/530
2.3		Axle loading, unladen front/rear		kg	1805/2450
Tyres/chassis	3.1	Tyre type			Solid rubber
	3.2	Tyre size, front			7.00-12
	3.3	Tyre size, rear			18X7-8
	3.5	Wheels, number front/rear (x=drive wheels)		mm	2x/ 2
	3.6	Tread width, front	b ₁₀	mm	975
	3.7	Tread width, rear	b ₁₁	mm	955
	Dimensions	4.1	Tilt of mast/fork carriage forward/backward	α/β	°
4.2		Retracted mast height	h ₁	mm	2070
4.3		Free lift	h ₂	mm	135
4.4		Lift height	h ₃	mm	3000
4.5		Height, mast extended	h ₄	mm	4095
4.7		Height of overhead guard (cabin)	h ₆	mm	2170
4.8		Seat height/standing height	h ₇	mm	1110
4.12		Tow coupling height	h ₁₀	mm	295
4.19		Overall length	l ₁	mm	3611
4.20		Length to face of forks	l ₂	mm	2541
4.21		Overall width	b ₁ /b ₂	mm	1154
4.22		Fork dimensions	s×e×l	mm	50×122×1070
4.23		A,B Fork carriage class/type A, B			3A
4.24		Fork carriage width	b ₃	mm	1040
4.31		Ground clearance, laden, below mast	m ₁	mm	120
4.32		Ground clearance, center of wheelbase	m ₂	mm	150
4.34.1		Aisle width for pallets 1000×1200 crossways	Ast	mm	3946
4.34.2		Aisle width for pallets 800×1200 lengthways	Ast	mm	4146
4.35		Turning radius	Wa	mm	2250
Performance data	5.1	Travel speed, laden/unladen		km/h	11/12
	5.2	Lifting speed, laden/unladen		m/s	0.28/0.36
	5.3	Lowering speed, laden/unladen		m/s	0.4/0.43
	5.5	Drawbar pull, laden/unladen		N	—
	5.6	Max. drawbar pull, laden/unladen		N	—
	5.8	Max. gradeability, laden/unladen		%	15/15
	5.10	Service brake			Hydraulic
	5.11	Parking brake			Mechanical
Electric-engine	6.1	Drive motor rating S2 60 min		kW	8
	6.2	Lift motor rating at S3 15%		kW	16
	6.4	Battery voltage/nominal capacity		V/Ah	80V/150AH
	6.5	Battery weight		kg	—
Additional data	10.5	Steering design			Hydraulic
	10.7	Sound pressure level at the driver's ear		dB(A)	< 74

If there are improvements of technical parameters or configurations, no further notice will be given.
The diagram shown may contain non-standard configurations.



RATED CAPACITIES AND LOAD CENTERS GRAPH



Mast Option

Mast types	Lift height (h3)	Height, Mast			Height, Free lift(h2)	
		Height, mast lowered(h1)	Height, mast extended(h4)		No shelving	With shelving
	No shelving		With shelving	mm		
2-Standard Mast	3000	2090	3565	4025	120	120
	3300	2240	3865	4325	120	120
3-Free Mast	4500	2115	5065	5525	1550	1090
	4800	2220	5365	5825	1655	1195

Option

Optional items	EFL252X3
Fork dimension	<ul style="list-style-type: none"> ○ 122*40*920 ● 122*40*1070 ○ 122*40*1150 ○ 122*40*1220 ○ 122*40*1370 ○ 122*40*1500 ○ 122*40*1600 ○ 122*40*1700 ○ 122*40*1820 ○ 122*40*1900 ○ 122*40*2000 ○ 122*40*2200
Fork carriage width	● 1040mm ○ Yes and can be customized
Fork carriage height	● 1095mm ○ Yes and can be customized
Front wheel material	● Normal solid ○ Traceless solid
Rear wheel material	● Normal solid ○ Traceless solid
Battery capacity	○ 80V100AH ● 80V150AH ○ 80V230AH ○ 80V280AH
Charger	<ul style="list-style-type: none"> ○ 80V65A ● 80V35A(Internal) ○ 80V60A(Internal)
Battery indicator	● With hourmeter
Seat type	<ul style="list-style-type: none"> ○ Normal ○ Comfortable ○ Suspension ○ Comfortable + safety belt logic switch ○ Suspension + safety belt logic switch ○ Suspension + armrests + safety belt logic switch
Attachments	● No ○ Built-in sideshifter ○ External shifter ○ Fork positioner with sideshift
Traction pin	● Yes
Electrostatic discharge chain	● Yes
Front lamp	● LED
Rear lamp	● No ○ LED
Warning lamp	● Yes
Steering lamp	● Yes
Blue lamp	<ul style="list-style-type: none"> ● None ○ Two in the front ○ One in the rear ○ Two in the front+One in the rear
Area warning lamp	<ul style="list-style-type: none"> ● None ○ Red, both sides
Rearview mirror	<ul style="list-style-type: none"> ● One in front ○ Two on sides
Buzzer	● Yes
OPS system	● No ○ Yes and not customized
Telematics	● Yes and not customized ○ No
Battery side pull function	● Yes and not customized
Cabin	<ul style="list-style-type: none"> ● No ○ With tempered glass OHG ○ Basic half cabin ○ Upgrade half cabin ○ Full cabin
Battery side pull attachment	● No ○ Yes and not customized

Note: ● Standard ○ Optional - Inconformity