

RSC202

2.0 ton Electric Counterbalance Stacker



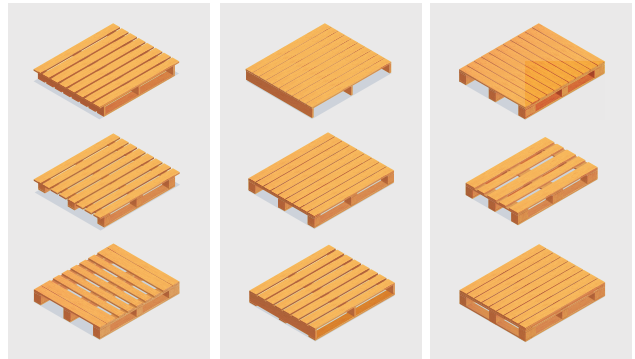
- Universal for various size of pallets
- Proportional lifting system offering utmost precision
- High ground clearance for comfortable travel on uneven surfaces
- Compact size for great maneuverability

Manufacturer			EP
Model designation			RSC202
Drive			Electric
Load capacity	Q	kg	2000
Load center distance	c	mm	500
Service weight		kg	2480
Retracted mast height	h1	mm	2118
Lift height	h3	mm	3000
Length to face of forks	l2	mm	1898
Overall width	b1/b2	mm	900
Fork dimensions	s/e/l	mm	40×100×1070
Turning radius	Wa	mm	1915
Max. gradeability, laden/unladen		%	5/8
Travel speed, laden/unladen		km/h	5.5/6
Lifting speed, laden/unladen		m/s	0.10/0.16
Lowering speed, laden/unladen		m/s	0.19/10.16
Battery voltage/nominal capacity		V/Ah	24/280

FEATURE

■ Universal for various size of pallets

The RSC202 provides all the versatility for various kinds of pallets and loads and operators are allowed to transport loads of special sizes. This can help accelerate goods circulation and improves productivity. Besides, the RSC202 offers sensitive mast tilting which delivers more convenience to pallet stacking, compared to regular stackers.



■ Proportional lifting system offering utmost precision

The RSC202 comes with the proportional lifting system as standard and enables the operator to stack and retrieve pallets more precisely and gently in multi-level racking.



■ High ground clearance for comfortable travel on uneven surfaces

The RSC202 offers a high ground clearance 116mm, which makes it high available on uneven surfaces.



■ Compact size for great maneuverability

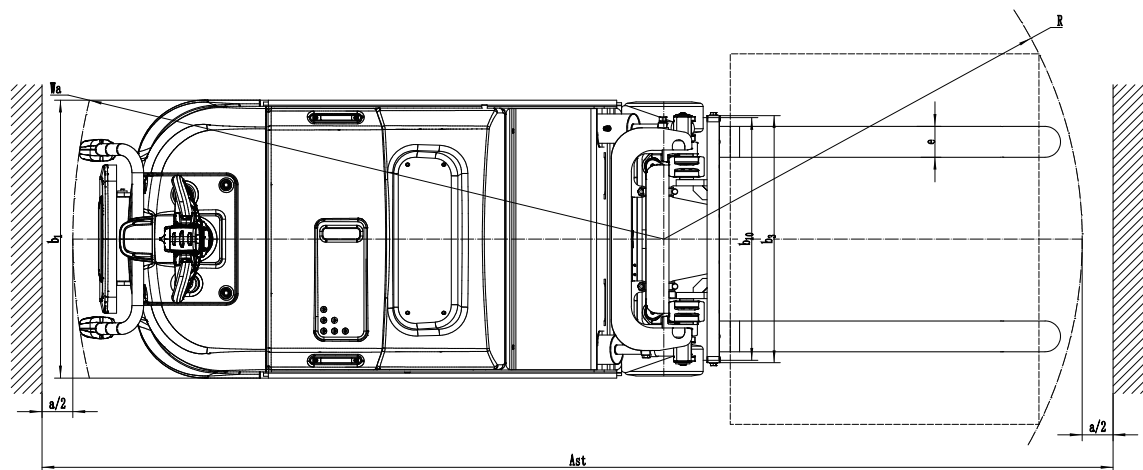
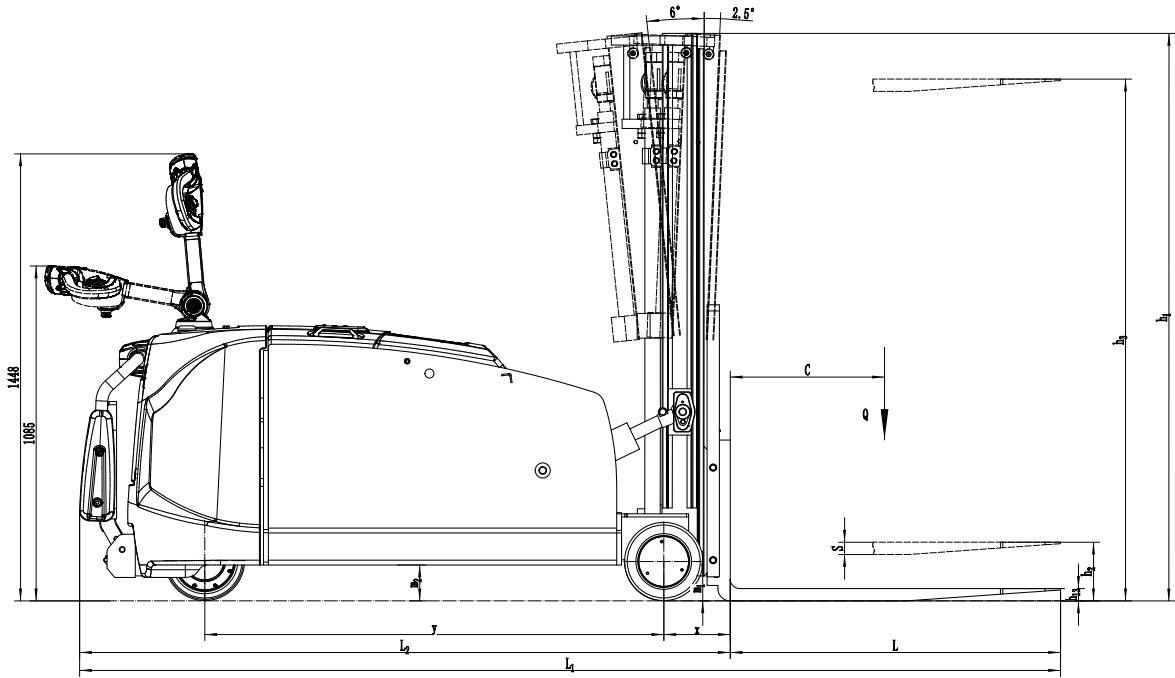
The RSC202 features a compact size, with the turning radius 1915mm, and it can navigate the narrow aisles easily in confined warehouse areas.



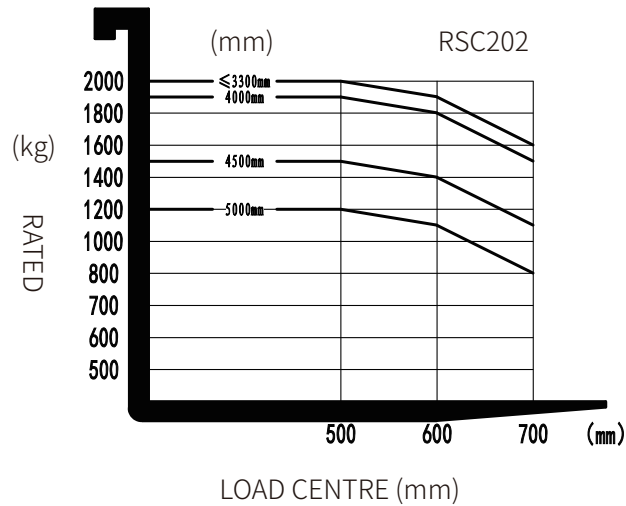
2.0 ton Electric Counterbalance Stacker RSC202

Distinguishing mark	1.1	Manufacturer			EP
	1.2	Model designation			RSC202
	1.3	Drive			Electric
	1.4	Operator type			Pedestrian
	1.5	Load capacity	Q	kg	2000
	1.6	Load center distance	c	mm	500
	1.8	Load distance, centre of drive axle to fork	x	mm	215
	1.9	Wheelbase	y	mm	1487
	Service weight	2.1	Service weight		kg
2.2		Axle loading, laden front/rear		kg	460/3520
2.3		Axle loading, unladen front/rear		kg	1460/1020
Tyres/chassis	3.1	Tyre type			Polyurethane
	3.2	Tyre size, front			260×105
	3.3	Tyre size, rear			254×102
	3.5	Wheels, number front/rear (x=drive wheels)		mm	1x/2
	3.7	Tread width, rear	b ₁₁	mm	787
Dimensions	4.1	Tilt of mast/fork carriage forward/backward	α/β	°	1.5/7
	4.2	Retracted mast height	h ₁	mm	2118
	4.3	Free lift	h ₂	mm	150
	4.4	Lift height	h ₃	mm	3000
	4.5	Height, mast extended	h ₄	mm	3915
	4.8	Seat height/standing height	h ₇	mm	148
	4.19	Overall length	l ₁	mm	3178
	4.20	Length to face of forks	l ₂	mm	2018
	4.21	Overall width	b ₁ /b ₂	mm	900
	4.22	Fork dimensions	s×e×l	mm	40×122×1070
	4.23	A,B Fork carriage class/type A, B			2A
	4.24	Fork carriage width	b ₃	mm	800
	4.31	Ground clearance, laden, below mast	m ₁	mm	80
	4.32	Ground clearance, center of wheelbase	m ₂	mm	116
	4.34.1	Aisle width for pallets 1000×1200 crossways	A _{st}	mm	3478
4.34.2	Aisle width for pallets 800×1200 lengthways	A _{st}	mm	3588	
4.35	Turning radius	W _a	mm	1915	
Performance data	5.1	Travel speed, laden/unladen		km/h	5.5/6
	5.2	Lifting speed, laden/unladen		m/s	0.10/0.16
	5.3	Lowering speed, laden/unladen		m/s	0.19/0.16
	5.8	Max. gradeability, laden/unladen		%	5/8
	5.10	Service brake			Electromagnetic
	5.11	Parking brake			Electromagnetic
Electric-engine	6.1	Drive motor rating S2 60 min		kW	3.3
	6.2	Lift motor rating at S3 15%		kW	3.0
	6.4	Battery voltage/nominal capacity		V/Ah	24/280
	6.5	Battery weight		kg	190
	Addition data	8.1	Type of drive control		
10.5		Steering design			Electronic
10.7		Sound pressure level at the driver's ear		dB(A)	74
15.1		Charger output current		A	30

If there are improvements of technical parameters or configurations, no further notice will be given.
The diagram shown may contain non-standard configurations.



RATED CAPACITIES GRAPH



Mast option:

Mast types	Lift height (h3)	Height, Mast		Height,Free lift(h2)
		Height, mast lowered(h1)	Height, mast extended(h4)	With shelving
	mm		mm	
2-Standard Mast	2600	1838	3555	150
	3000	2018	3915	150
	3200	2118	4115	150
	3600	2303	4505	150
	3900	2453	4805	150
3-Free Mast	4000	1822	4915	904
	4500	2022	5415	1104
	4800	2122	5715	1204
	5000	2187	5915	1274

Option:

Optional items	RSC202
Fork dimension	<ul style="list-style-type: none"> ●1250*500, 2A、122*40*1070○1250*500, 2A、122*40*1150 ○1250*500、2A、122*40*1220○1250*500, 2A、122*40*1370 ○1250*500、2A、122*40*1500
Fork lowered height	●60
Fork carriage width	●780○915○1067○1220
Backrest height	●915 (36in) ○1220 (48in)
Load wheel material	● PU
Drive wheel material	● PU
Battery capacity	<ul style="list-style-type: none"> ●280Ah○345Ah ○205Ah (Li-ion)
Charger	<ul style="list-style-type: none"> ● 24V-30A External (Lead Acid) ○ 24V-50A External (Lead Acid) ○ 24V-50A External (Li-ion) ○ 24V-100A External (Li-ion)
Battery indicator	● With hourmeter (Bluetooth)
Attachments	<ul style="list-style-type: none"> ● No ○External shifter ○Fork positioner
Auto battery watering system	● No○ Yes and not customized
Warning lamp	● No○ Yes and not customized
Blue lamp	● No○ Yes and not customized
Area warning lamp	● No○ Yes and not customized
Rearview mirror	● No
Buzzer	● No○ Yes and not customized
Telematics	● No○ Yes and not customized
Swipe card device	● No○ Yes and not customized
Pin Code	● No○ Yes and not customized
Side supports	○ No● Yes and not customized
Foldable pedals	○ No● Yes and not customized
Proportional lift system	● Yes and not customized
Forks tilt forward and backward	● Yes and not customized
Note:	●Standard ○ Optional - Inconformity