



CQD25RV(F)

Electric Reach Truck 2.5T

- Increased productivity in heights up to 12.5m
- Multi-functional configurations for easy operation
- Height indicator and proportional lifting for precise stacking
- Full carrying capacity at the maximum lift height 6.5m

EP EQUIPMENT CO.,LTD
www.ep-equipment.com

FEATURE

■ Increased productivity in heights up to 12.5m

CQD25RV(F) comes with a long-lasting 48V/700Ah Lead-acid battery as standard, which empowers the truck to perform heavy-duty warehousing tasks in long working hours. CQD25RV(F) reaches lift heights of up to 12.5m to cater to various warehouse racking system.



■ Multi-functional configurations for easy operation

CQD25RV(F) has a full color display and it allows the driver to monitor driving speed, battery status, and error codes. Plus the electric steering system, CQD25RV(F) offers easy and effort-saving operation.



■ Height indicator and proportional lifting for precise stacking

Thanks to the height indicator and proportional lifting system, you can drive CQD25RV(F) to stack and retrieve pallets with the utmost precision.



■ Full carrying capacity at the maximum lift height 6.5m

CQD25RV(F) features high strength of the mast that allows the truck to perform full lifting capacity up to 6.5m. It also comes with a 6000k LED light which provides a wider and farther lighting area when operating in low visibility sections and at night. These not only ensures operation safety but also reinforce material handling efficiency.

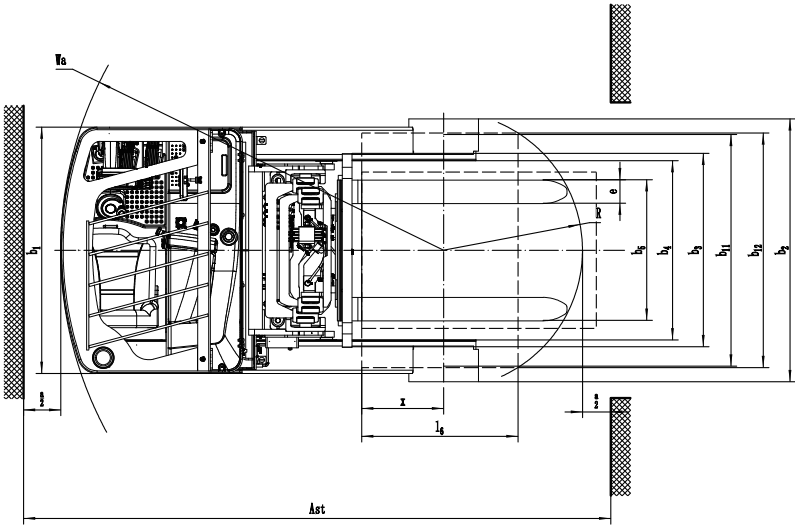
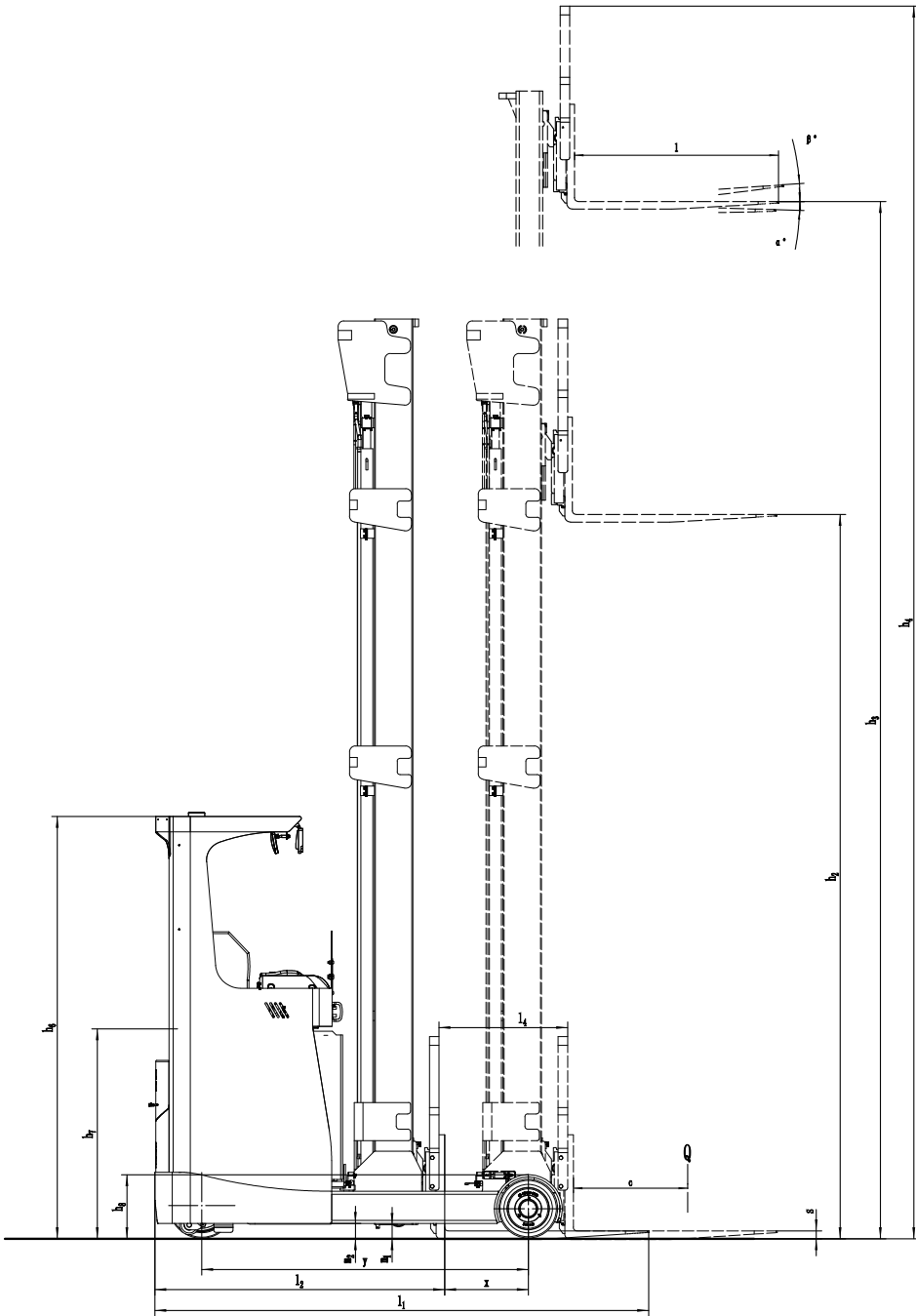


Electric Reach Truck 2.5T

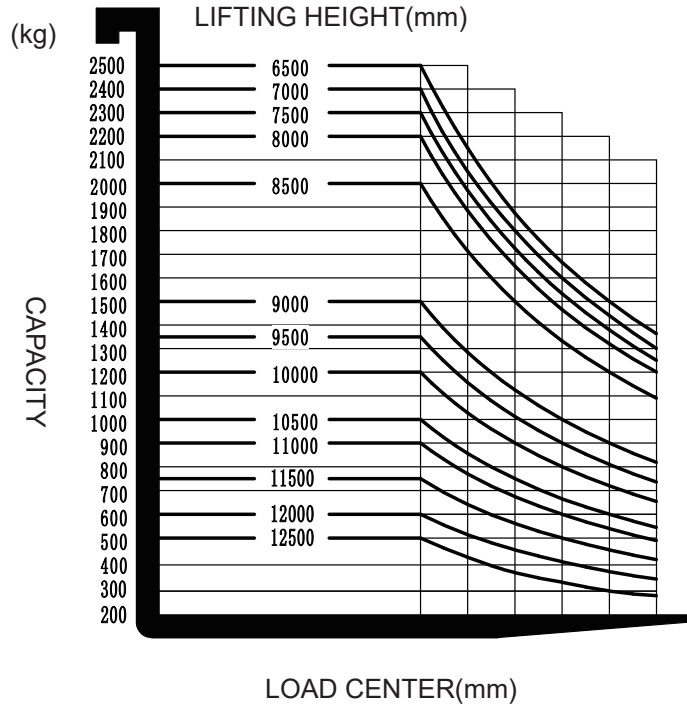
CQD25RV(F)

Distinguishing mark	1.1	Manufacturer			EP	EP
	1.2	Model designation			CQD25RV	CQD25RVF
	1.3	Drive unit			Electric	Electric
	1.4	Operator type			Seated	Seated
	1.5	rated capacity	Q	kg	2500	2500
	1.6	Load center distance	c	mm	600	600
	1.8	Load distance, centre of drive axle to fork	x	mm	439	439
	1.9	Wheelbase	y	mm	1714	1714
	Service weight	2.1	Service weight		kg	4620 ^②
2.3.1		Axle loading, unladen front/rear		kg	2710/1860	2710/1860
2.4.1		Axle loading, fork advanced, laden front/rear		kg	650/6470	650/6470
2.5.1		Axle loading, fork retracted, laden front/rear		kg	2550/4570	2550/4570
Tyres/chassis	3.1	Tyre type			Polyurethane	Polyurethane
	3.2.1	Tyre size, front		mm	Φ343×140	Φ343×140
	3.3.1	Tyre size, rear		mm	Φ310×135	Φ310×135
	3.4	Additional wheels		mm	Φ102×51	Φ102×51
	3.5.1	Wheels, number front/rear (x=drive wheels)		mm	1x/2	1x/2
	3.6.1	Tread, front	b10	mm	—	—
	3.7.1	Tread, rear	b11	mm	1186	1186
Dimensions	4.1	Tilt of mast/fork carriage forward/backward	α/β	°	2/4	2/4
	4.2	Height, mast lowered	h1	mm	4820 ^③	4820 ^③
	4.3	Free lift	h2	mm	3252 ^③	3252 ^③
	4.4	Lift height	h3	mm	12000 ^③	12000 ^③
	4.5	Height, mast extended	h4	mm	13065 ^③	13065 ^③
	4.7	Height of overhead/ guard cabin	h6	mm	2210	2210
	4.8	Seat height/standing height	h7	mm	1145	1145
	4.10	Height of wheel arms	h8	mm	333	333
	4.19	Overall length	l1	mm	2586	2586
	4.20	Length to face of forks	l2	mm	1521	1521
	4.21	Overall width	b1/b2	mm	1260/1345	1260/1345
	4.22	Fork dimensions	s/e/l	mm	40/122/1070	40/122/1070
	4.23	A,B Fork carriage class/type A, B			2A	2A
	4.24	Fork carriage width	b3	mm	990	990
	4.25	Distance between fork-arms	b5	mm	240/770	240/770
	4.26	Distance between wheel arms/loading surfaces	b4	mm	917	917
	4.28	Reach distance	l4	mm	670	670
	4.31	Ground clearance, laden, below mast	m1	mm	60	60
	4.32	Ground clearance, center of wheelbase	m2	mm	70	70
	4.34.1	Aisle width for pallets 1000×1200 crossways	Ast	mm	2871	2871
4.34.2	Aisle width for pallets 800×1200 lengthways	Ast	mm	3037	3037	
4.35	turning radius	Wa	mm	1960	1960	
4.37	Length across wheel arms	l7	mm	2138	2138	
Performance data	5.1	Travel speed, laden/unladen		km/ h	9/9.5	9/9.5
	5.2	Lifting speed, laden/unladen		m/s	0.3/0.35	0.3/0.35
	5.3	Lowering speed, laden/unladen		m/s	0.4/0.3	0.4/0.3
	5.4	Reaching speed, laden /unladen		m/s	0.15/0.15	0.15/0.15
	5.8	Max. gradeability, laden/unladen		%	7/14	7/14
	5.10	Service brake			Electromagnetic	Electromagnetic
5.11	Parking brake			Electromagnetic	Electromagnetic	
Electric-engine	6.1	Drive motor rating S2 60 min		kW	6.4	6.4
	6.2	Lift motor rating at S3 15%		kW	13	13
	6.4	Battery voltage/nominal capacity		V/Ah	48/700 ^④	48/700 ^④
	6.5	Battery weight		kg	1115 ^④	1115 ^④
	6.6	Energy consumption according to DIN EN 16796		kWh/h	3.96	3.96
	6.9	Charger output current		A	100	100
Additional data	8.1	Type of drive unit			AC	AC
	10.5	Steering design			Electronic	Electronic
	10.7	ound pressure level at the driver's ear		dB(A)	70	70

If there are improvements of technical parameters or configurations, no further notice will be given.
The diagram shown may contain non-standard configurations.



RATED CAPACITIES GRAPH



Mast Option

① Service weight (include battery)	
Mast height(mm)	Service weight(kg)
2-stage mast	
2700	3185
3000	3210
3300	3230
3640	3260
4000	3290
4300	3315
4520	3340
5000	3380
5480	3425
6000	3480

Mast height(mm)	Service weight(kg)
3-stage mast	
4050	3475
4500	3520
5000	3560
5500	3610
6000	3660
6500	3700
7000	3815
7500	3850
8000	3915
8500	3975
9000	4035
9500	4080
10000	4435
10500	4480
11000	4525
11500	4575
12000	4620
12500	4665

② Mast

CQD25RV(F) 2-stage mast:				
Lift height	Height, mast lowered	Height, free lift	Height, mast extended	
h3	h1	h2	h4	h4(*)
2700	1980	120	3765	3280
3000	2130	120	4065	3580
3300	2280	120	4365	3880
3640	2450	120	4705	4220
4000	2630	120	5065	4580
4300	2780	120	5365	4880
4520	2960	160	5585	5140
5000	3200	160	6065	5620
5480	3460	160	6545	6120
6000	3720	160	7065	6640

Note:(*) means without backrest

CQD25RV(F) 3-stage mast:			
Lift height	Height, mast lowered	Height, free lift	Height, mast extended
h3	h1	h2	h4
4050	2000	522	5115
4500	2150	672	5565
5000	2300	772	6065
5500	2470	952	6565
6000	2650	1172	7065
6500	2800	1272	7565
7000	3050	1532	8065
7500	3220	1712	8565
8000	3390	1852	9065
8500	3610	2072	9565
9000	3770	2212	10065
9500	3940	2392	10565
10000	4160	2612	11065
10500	4330	2792	11565
11000	4490	2932	12065
11500	4660	3112	12565
12000	4820	3252	13065
12500	4990	3432	13565

Note:(*) means without backrest

④ Battery weight	
Battery capacity	Battery weight
5HPzS 700	1115
5HPzS 750	1140

Option

No.	Optional items	CQD25RV
1.1	Fork dimension	○1000*600、2A、122*40*920 ●1000*600、2A、122*40*1070 ○1000*600、2A、122*40*1150 ○1000*600、2A、122*40*1220 ○1000*600、2A、122*40*1370 ○1000*600、2A、122*40*1500 ○1000*600、2A、122*40*1600
1.2	Leg width	●917
1.4	Fork carriage width	●770mm
1.5	backrest height	●1025mm
2.1	Load wheel type	●Single
2.2	Load wheel material	●PU
2.3	Drive wheel material	●PU
2.7	Battery capacity	●700Ah○750Ah○775Ah
2.8	Charger	●48V-100A External○48V-80A External
2.10	Seat type	●Suspension
2.11	Attachments	●Built-in sideshifter
3.3	Castor wheels	●Yes and not customized
3.4	Water auto-filling system	●No○Yes and not customized
3.5	Front lamp	●LED
3.6	Rear lamp	●No○LED
3.7	Warning lamp	●Yes and not customized
3.9	Blue lamp	●No○Yes and not customized
3.10	Area warning lamp	●No○Yes and not customized
3.11	Rearview mirror	●Yes and not customized
3.12	Hummer	●No○Yes and not customized
3.14	Camera	●No○Yes and not customized
3.15	Fire extinguisher	●No○Yes and not customized
3.17	OPS system	●No○Yes and not customized
3.23	Remote monitoring	●No○Yes and not customized
4.1	Battery side pull function	●No○Yes and not customized
4.2	Cold storage	●No○Yes and not customized
4.6	Forks tilt forward and backward	●Yes and not customized
4.7	Overhead guard	●Yes○Yes and not customized (Drive-in)
4.8	Drive assembly	●GK25
5.1	Battery side pull attachment	●No○Battery trolley○Side pull bracket

Note: ●Standard ○ Optional - Inconformity

No.	Optional items	CQD25RVF
1.1	Fork dimension	○1000*600、2A、122*40*920 ●1000*600、2A、122*40*1070 ○1000*600、2A、122*40*1150 ○1000*600、2A、122*40*1220 ○1000*600、2A、122*40*1370 ○1000*600、2A、122*40*1500 ○1000*600、2A、122*40*1600
1.2	Leg width	●917
1.4	Fork carriage width	●770mm
1.5	backrest height	●1025mm
2.1	Load wheel type	●Single
2.2	Load wheel material	●PU
2.3	Drive wheel material	●PU
2.7	Battery capacity	●700Ah○750Ah○775Ah
2.8	Charger	●48V-100A External○48V-80A External
2.10	Seat type	●Suspension
2.11	Attachments	●Built-in sideshifter
3.3	Castor wheels	●Yes and not customized
3.4	Water auto-filling system	●No○Yes and not customized
3.5	Front lamp	●LED
3.6	Rear lamp	●No○LED
3.7	Warning lamp	●Yes and not customized
3.9	Blue lamp	●No○Yes and not customized
3.10	Area warning lamp	●No○Yes and not customized
3.11	Rearview mirror	●Yes and not customized
3.12	Buzzer	●No○Yes and not customized
3.13	Height display	●Yes and not customized (Only for 3-stage mast)
3.14	Camera	●No○Yes and not customized
3.15	Fire extinguisher	●No○Yes and not customized
3.17	OPS system	●Yes and not customized
3.23	Remote monitoring	●No○Yes and not customized
4.1	Battery side pull function	●No○Yes and not customized
4.2	Cold storage	●No○Yes and not customized
4.5	Proportional lift system	●Yes and not customized
4.6	Forks tilt forward and backward	●Yes and not customized
4.7	Overhead guard	●Yes○Yes and not customized (Drive-in)
4.8	Drive assembly	●GK25
5.1	Battery side pull attachment	●No○Battery trolley○Side pull bracket

Note: ●Standard ○ Optional - Inconformity