

CQD20LB

Li-ion Reach Truck

2000kg

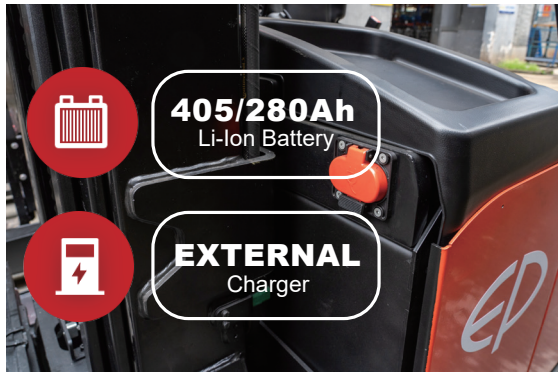


- 48V/405Ah(CE)/208Ah(NON-CE) Li-ion battery and external charging plug for great convenience and adaptability
- Enhanced mast with better visibility and safety
- Hydraulic system with new components for better loads handling
- Higher efficiency with a 610mm reach distance and maximum lifting/lowering speeds of 0.55m/s and 0.5m/s.
- Multi-functional configurations like proportional lifting, electric steering and full-color display for easy operation
- Turnable seat compartment for easy maintenance
- Spacious operation space for fatigue-free work



Manufacturer			EP	EP
Model designation			CQD20LB (CE)	CQD20LB (NON-CE)
Drive unit			Electric	Electric
Load center distance	c	mm	600	600
Service weight		kg	3940	3940
Lift height	h3	mm	9500	9500
Height, mast extended	h4	mm	10560	10560
Length to face of forks	l2	mm	1373	1373
Overall width	b1/b2	mm	1260/1270	1260/1270
Fork dimensions	s/e/l	mm	40/120/1070	40/120/1070
Reach distance	l4	mm	610	610
Turning radius	Wa	mm	1770	1770
Travel speed, laden/unladen		km/ h	9/9.5	9/9.5
Lifting speed, laden/unladen		m/s	0.45/0.55	0.45/0.55
Lowering speed, laden/unladen		m/s	0.5/0.45	0.5/0.45
Max. gradeability, laden/unladen		%	10/15	10/15
Battery voltage/nominal capacity		V/Ah	48/405	48/280

FEATURE



■ Lithium technology for great effectiveness

CQD20LB adopts 48Vah Li-ion battery as standard and it features zero battery maintenance and opportunity charging during breaks. This makes CQD20LB a flexible and cost-effective tool to store and retrieve pallets in multi working shifts. Plus, the charging port is external for easy charging and protected by a cover from water and dust ingress for charging safety.



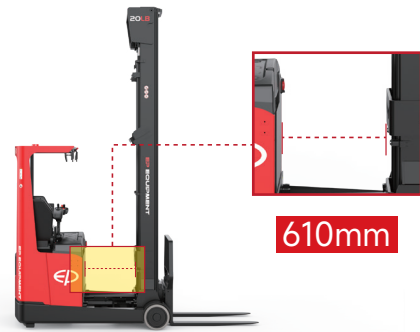
■ Complete configurations for easy operation

CQD20LB is of tremendous help to the operator with full-color display, electric steering, joystick system as well as proportional hydraulic system, which the operator can take advantage of to handle loads more easily and precisely.



■ Easy maintenance

The seat can be easily turned sideways, providing a quick access to internal components for daily maintenance and repair.



■ Improved performance for productivity boost

The CQD20LB offers a reach distance of 610mm and makes stacking and retrieving effortless with reach. The lifting and lowering speeds are also improved to reduce your cycle times and elevate your working efficiency.



■ Enhanced mast with better visibility and safety

CQD20LB's mast enables an unimpeded view of raised loads since the cylinders are moved to the side, and the enhanced mast is also vibration-free. This makes it ideal for safe operation at height up to 9.5m and perform nominal capacity up to 6.5 m.



■ Spacious operation space

CQD20LB offers spacious legroom and a suspension seat to fulfill the ergonomic needs and ensure effective operation.

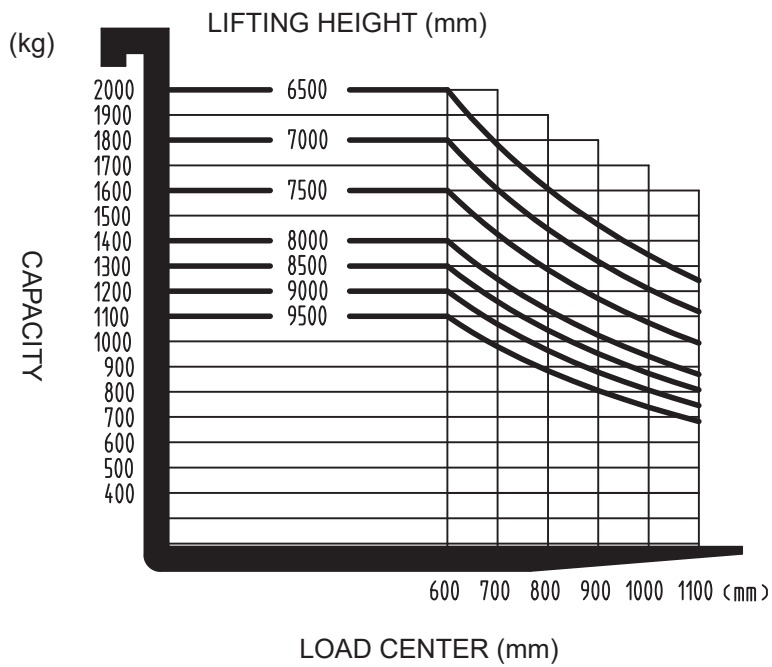
Li-ion Reach Truck 2000kg

CQD20LB

Distinguishing mark	1.1	Manufacturer			EP	EP
	1.2	Model designation			CQD20LB (CE)	CQD20LB (NON-CE)
	1.3	Drive unit			Electric	Electric
	1.4	Operator type			Seated	Seated
	1.5	rated capacity	Q	kg	2000	2000
	1.6	Load center distance	c	mm	600	600
	1.8	Load distance, centre of drive axle to fork	x	mm	399	399
	1.9	Wheelbase	y	mm	1515	1515
	Service weight	2.1	Service weight		kg	3940
2.3.1		Axle loading, unladen front/rear		kg	2465/1490	2465/1490
2.4.1		Axle loading, fork advanced, laden front/rear		kg	635/5340	635/5340
2.5.1		Axle loading, fork retracted, laden front/rear		kg	2165/3800	2165/3800
Tyres/chassis	3.1	Tyre type			Polyurethane	Polyurethane
	3.2.1	Tyre size, front		mm	Φ343×140	Φ343×140
	3.3.1	Tyre size, rear		mm	Φ310×118	Φ310×118
	3.4	Additional wheels		mm	Φ102×51	Φ102×51
	3.5.1	Wheels, number front/rear (x=drive wheels)		mm	1x/2	1x/2
	3.6.1	Tread, front	b10	mm	-	-
	3.7.1	Tread, rear	b11	mm	1148	1148
Dimensions	4.1	Tilt of mast/fork carriage forward/backward	α/β	°	2/4	2/4
	4.2	Height, mast lowered	h1	mm	3935	3935
	4.3	Free lift	h2	mm	2870	2870
	4.4	Lift height	h3	mm	9500	9500
	4.5	Height, mast extended	h4	mm	10560	10560
	4.7	Height of overhead/ guard cabin	h6	mm	2213	2213
	4.8	Seat height/standing height	h7	mm	1076	1076
	4.10	Height of wheel arms	h8	mm	333	333
	4.19	Overall length	l1	mm	2443	2443
	4.20	Length to face of forks	l2	mm	1373	1373
	4.21	Overall width	b1/b2	mm	1260/1270	1260/1270
	4.22	Fork dimensions	s/e/l	mm	40/120/1070	40/120/1070
	4.23	A,B Fork carriage class/type A, B			2A	2A
	4.24	Fork carriage width	b3	mm	990	990
	4.25	Distance between fork-arms	b5	mm	240/770	240/770
	4.26	Distance between wheel arms/loading surfaces	b4	mm	915	915
	4.28	Reach distance	l4	mm	610	610
	4.31	Ground clearance, laden, below mast	m1	mm	70	70
	4.32	Ground clearance, center of wheelbase	m2	mm	75	75
	4.34.1	Aisle width for pallets 1000×1200 crossways	Ast	mm	2835	2835
4.34.2	Aisle width for pallets 800×1200 lengthways	Ast	mm	2885	2885	
4.35	turning radius	Wa	mm	1770	1770	
4.37	Length across wheel arms	l7	mm	1948	1948	
Performance data	5.1	Travel speed, laden/unladen		km/ h	9/9.5	9/9.5
	5.2	Lifting speed, laden/unladen		m/s	0.45/0.55	0.45/0.55
	5.3	Lowering speed, laden/unladen		m/s	0.5/0.45	0.5/0.45
	5.4	Reaching speed, laden /unladen		m/s	0.15/0.15	0.15/0.15
	5.8	Max. gradeability, laden/unladen		%	10/15	10/15
	5.10	Service brake			Electromagnetic	Electromagnetic
5.11	Parking brake			Electromagnetic	Electromagnetic	
Electric-engine	6.1	Drive motor rating S2 60 min		kW	7	7
	6.2	Lift motor rating at S3 15%		kW	20	20
	6.4	Battery voltage/nominal capacity		V/Ah	48/405	48/280
	6.5	Battery weight		kg	490	250
Addition data	8.1	Type of drive unit			AC	AC
	10.5	Steering design			Electronic	Electronic
	10.7	Sound pressure level at the driver's ear		dB(A)	70	70
	15.1	Charger output current		A	200	100

If there are improvements of technical parameters or configurations, no further notice will be given.
The diagram shown may contain non-standard configurations.

RATED CAPACITIES GRAPH



Mast Option

Mast types	Lift height (h3) mm	Height, Mast			Height, Free lift(h2)	
		Height, mast lowered(h1) mm	Height, mast extended(h4)		No backrest mm	With backrest mm
			No backrest mm	With backrest mm		
3-Free Mast	4000	1965	4720	5060	1080	900
	4500	2135	5220	5560	1260	1070
	5000	2300	5720	6060	1420	1235
	5500	2465	6220	6560	1580	1400
	6000	2635	6720	7060	1760	1570
	6500	2800	7220	7560	1920	1735
	7000	3045	7720	8060	2160	1890
	7500	3215	8220	8560	2340	2150
	8000	3380	8720	9060	2500	2315
	8500	3600	9220	9560	2720	2535
	9000	3765	9720	10060	2880	2700
	9500	3935	10220	10560	3060	2870

Option

Optional items	CQD20LB (CE)	CQD20LB (NON-CE)
Fork dimension	<ul style="list-style-type: none"> ○No ○1000*600、2A、122*40*920 ●1000*600、2A、122*40*1070 ○1000*600、2A、122*40*1150 ○1000*600、2A、122*40*1220 ○1000*600、2A、122*40*1370 ○1000*600、2A、122*40*1500 ○1000*600、2A、122*40*1600 	<ul style="list-style-type: none"> ○No ○1000*600、2A、122*40*920 ●1000*600、2A、122*40*1070 ○1000*600、2A、122*40*1150 ○1000*600、2A、122*40*1220 ○1000*600、2A、122*40*1370 ○1000*600、2A、122*40*1500 ○1000*600、2A、122*40*1600
Reach lift truck Leg width	●917	●917
Fork carriage width	●770mm	●770mm
Load backrest height	●820mm	●820mm
Load wheel type	●Single	●Single
Load wheel material	●PU	●PU
Drive wheel material	●PU	●PU
Battery capacity	●405Ah-Li○No	●280Ah-Li○405Ah-Li○560Ah-Li○No
Charger	<ul style="list-style-type: none"> ●48V-200A-Li External ○48V-150A-Li External ○No 	<ul style="list-style-type: none"> ●48V-100A-Li External ○48V-200A-Li External ○48V-150A-Li External○No
Seat type	<ul style="list-style-type: none"> ●Suspension + safety belt logic switch ○Suspension + safety belt logic switch + armrest 	<ul style="list-style-type: none"> ●Suspension ○Suspension + safety belt logic switch
Attachments	●Built-in sideshifter	●Built-in sideshifter
Castor wheels	●Yes and not customized	●Yes and not customized
Front lamp	●LED	●LED
Rear lamp	●No○LED	●No○LED
Warning lamp	●Yes and not customized	●Yes and not customized
Blue lamp	●No○Yes and not customized	●No○Yes and not customized
Area warning lamp	●No○Yes and not customized	●No○Yes and not customized
Rearview mirror	●Yes and not customized	●Yes and not customized
Buzzer	●No○Yes and not customized	●No○Yes and not customized
Height display	<ul style="list-style-type: none"> ●Yes and not customized (Only for 3-Free Mast) 	<ul style="list-style-type: none"> ●Yes and not customized (Only for 3-Free Mast)
Camera	●No○Yes and not customized	●No○Yes and not customized
Fire extinguisher	●No○Yes and not customized	●No○Yes and not customized
OPS system	●Yes and not customized	●Yes and not customized
Telematics	●No○Yes and not customized	●No○Yes and not customized
Speed reduction for elevated mast- Australian standard	●No○Yes and customized	●No○Yes and customized
Turn deceleration	●Yes and customized	●Yes and customized
Heating system during lithium battery charging	●No○Yes and not customized	●No○Yes and not customized
Travel deceleration function after mast lifting	●No○Yes and not customized	●No○Yes and not customized
Operator identification device	<ul style="list-style-type: none"> ●No ○Swipe card device ○Fingerprint lock ○card and password combination device 	<ul style="list-style-type: none"> ●No ○Swipe card device ○Fingerprint lock ○card and password combination device
Battery side pull function	●No	●No
Cold storage	●No○Yes and not customized	●No○Yes and not customized
Proportional lift system	●Yes and not customized	●Yes and not customized
Forks tilt forward and backward	●Yes and not customized	●Yes and not customized
Overhead guard	●Yes○Driver-in	●Yes○Driver-in
Drive assembly	●ZK25	●ZK25
Solenoid valve system	●Yes and not customized	●Yes and not customized
Note:	●Standard ○ Optional - Inconformity	