

4-wheel Cushion Forklift 5,000lbs

FDLA251



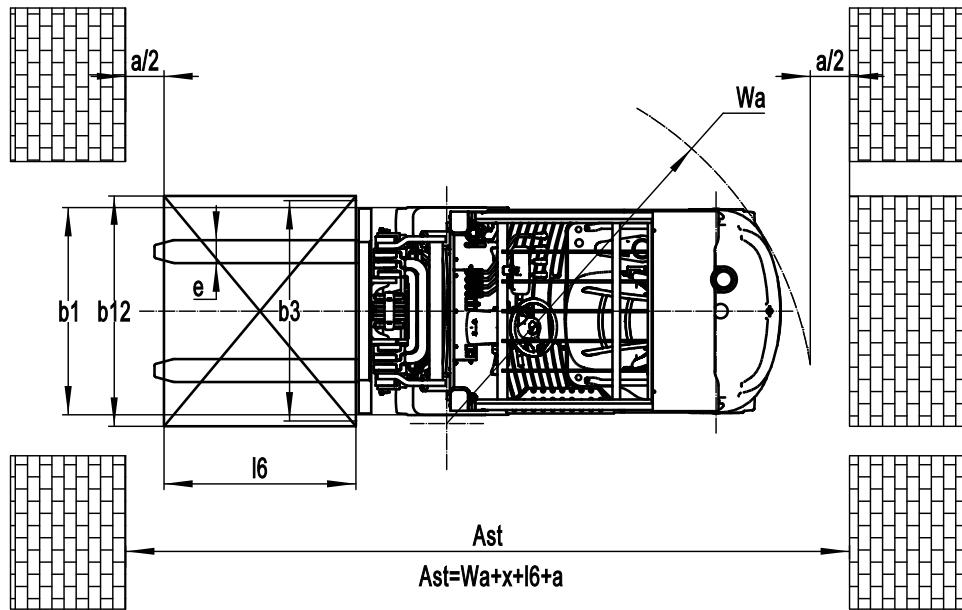
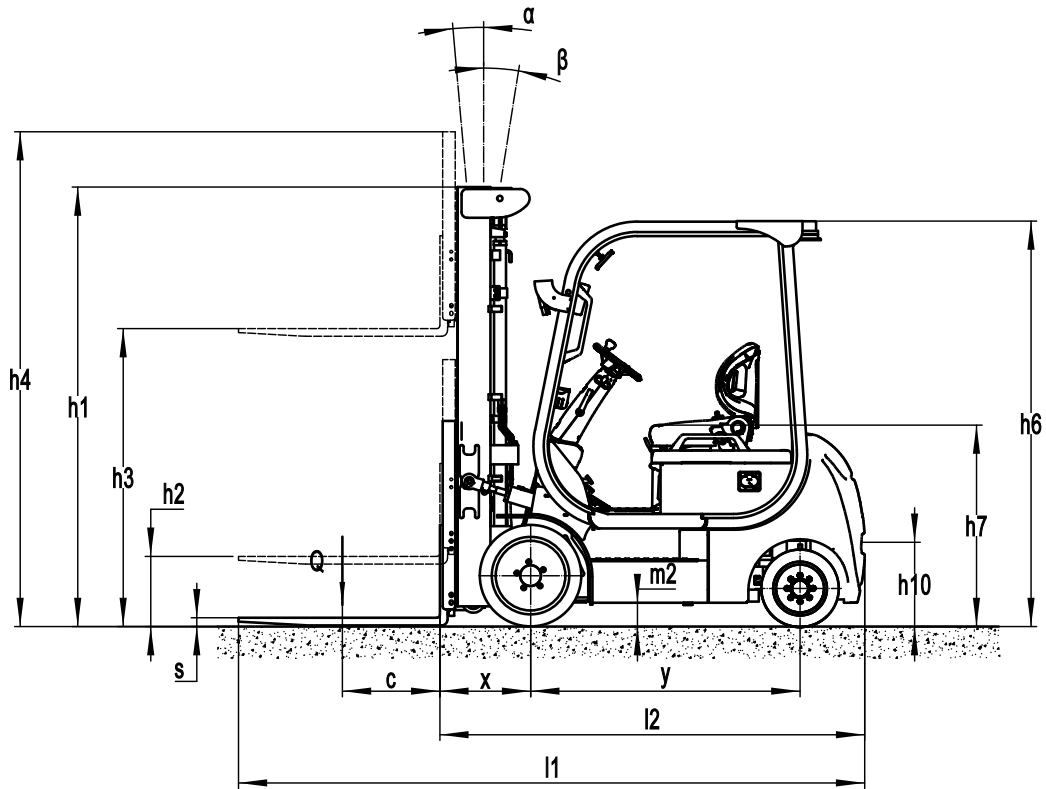
- 80V system utilizing EP Energy's integrated 460Ah lithium battery
- Dual AC drive motors for exceptional maneuverability and superior performance
- Lithium exclusive chassis affords superior ergonomics in seating position and visibility
- EP exclusive LED Display provides intuitive information
- Wide variety of chargers ranging from 13A to 200A

Manufacturer			EP	EP
Model designation			FDLA251	FDLA251
Drive			Electric	Electric
Base capacity	Q	lb.	5000	5000
Load center distance	c	in.	24	24
Service weight		lb.	10538	10588
Collapsed Height	h1	in.	83	91
Maximum fork height	h3	in.	189	197
Height, mast extended with Std. LBR	h4	in.	237	245
Length to face of forks	l2	in.	86.96	86.96
Overall width	b1/b2	in.	42.5	42.5
Fork dimensions	s/e/l	in.	1.57x4.8x42.1	1.57x4.8x42.1
Turning radius	Wa	in.	75.59	75.59
Travel speed, loaded/unloaded		mph	9/9.32	9/9.32
Lifting speed, loaded/unloaded		fpm	74.8/98.4	74.8/98.4
Lowering speed, loaded/unloaded		fpm	88.5/98.4	88.5/98.4
Max. gradeability, loaded/unloaded		%	15/16	15/16
Drive motor rating S2 60 min		HP	5.0x2	5.0x2
Battery voltage/nominal capacity		V/Ah	80V230Ah / 80V460Ah	80V230Ah / 80V460Ah

4-wheel Cushion Forklift 5,000lbs FDLA251

Distinguishing mark	1.1	Manufacturer				EP	EP
	1.2	Model designation				FDLA251	FDLA251
	1.3	Drive				Electric	Electric
	1.4	Operator type				Seated	Seated
	1.5	Base capacity	Q	lb.		5000	5000
	1.6	Load center distance	c	in.		24	24
	1.8	Load distance, center of drive axle to fork	x	in.		18.28	18.28
	1.9	Wheelbase	y	in.		55.27	55.27
	Service weight	2.1	Service weight		lb.		10538
2.2		Axle loading, loaded front/rear		lb.		13878/1660	13928/1660
2.3		Axle loading, unloaded front/rear		lb.		5059/5479	5109/5479
Tires/chassis	3.1	Tire type				Solidrubber	Solidrubber
	3.2	Tire size, front				21x7-15	21x7-15
	3.3	Tire size, rear				16x6-10.5	16x6-10.5
	3.5	Wheels, number front/rear (x=drive wheels)		in.		2x2	2x2
	3.6	Tread width, front	b ₁₀	in.		35.6	35.6
	3.7	Tread width, rear	b ₁₁	in.		35.4	35.4
	Dimensions	4.1	Tilt of mast/fork carriage forward/backward	α/β	°		5/6
4.2		Collapsed Height	h ₁	in.		83	91
4.3		Free lift	h ₂	in.		35	40
4.4		Maximum fork height	h ₃	in.		189	197
4.5		Height, mast extended with Std. LBR	h ₄	in.		237	245
4.7		Height of overhead guard (cabin)	h ₆	in.		83	83
4.8		Seat height/standing height	h ₇	in.		40	40
4.12		Tow coupling height	h ₁₀	in.		16.33	16.33
4.19		Overall length	l ₁	in.		129.09	129.09
4.20		Length to face of forks	l ₂	in.		86.96	86.96
4.21		Overall width	b ₁ /b ₂	in.		42.5	42.5
4.22		Fork dimensions	s×e×l	in.		1.57x4.8x42.1	1.57x4.8x42.1
4.23		A,B Fork carriage class/type A, B				2A	2A
4.24		Fork carriage width	b ₃	in.		40.94	40.94
4.31		Ground clearance, laden, below mast	m ₁	in.		3.93	3.93
4.32		Ground clearance, center of wheelbase	m ₂	in.		4.72	4.72
4.34.1		Right Angle Stack (x +wa)	Ast	in.		93.9	93.9
4.34.2		Minimum Aisle Width (Right Angle Stack + Load Length + Clearance)	Ast	in.		154	154
4.35		Turning radius	Wa	in.		75.59	75.59
Performance data	5.1	Travel speed, loaded/unloaded		mph		9/9.32	9/9.32
	5.2	Lifting speed, loaded/unloaded		ftpm		74.8/98.4	74.8/98.4
	5.3	Lowering speed, loaded/unloaded		ftpm		88.5/98.4	88.5/98.4
	5.8	Max. gradeability, loaded/unloaded		%		15/16	15/16
	5.10	Service brake				Hydraulic	Hydraulic
	5.11	Parking brake				Mechanical	Mechanical
Electric-engine	6.1	Drive motor rating S2 60 min		HP		5.0x2	5.0x2
	6.2	Lift motor rating at S3 15%		HP		18.0	18.0
	6.4	Battery voltage/nominal capacity		V/Ah		80V230Ah / 80V460Ah	80V230Ah / 80V460Ah
	6.5	Minimum battery weight		lb.		550 lb	550 lb
	Additional data	8.1	Type of drive control				AC
10.5		Steering design				Hydraulic	Hydraulic
10.7		Sound pressure level at the driver's ear		dB(A)		74	74
15.1		Charger output current		A		15, 35, 100, 155, 200	15, 35, 100, 155, 200

If there are improvements of technical parameters or configurations, no further notice will be given.
The diagram shown may contain non-standard configurations.
Minimum Aisle Width uses 48" for load length and 12" for Clearance.



Mast Options

Mast types	Maximum Fork Height (h3)	Mast Dimensions			Free lift(h2)	
		Collapsed Height(h1)	Extended Height(h4)		No LBR	W/ STD. LBR
			No LBR	W/ STD. LBR		
in.	in.	in.	in.	in.	in.	
3-Free Mast	189.0	83.1	211.2	237.0	60.8	35.0
	197.0	90.0	219.1	244.9	67.7	41.9