

# End-Control Rider Pallet Truck 4,400lbs



## EPL202



- Integrated 205Ah 24V lithium battery and 120vac integrated charger
- Power steering standard
- AC drive motor and Zapi controls
- Electromagnetic brake
- Low profile fork assembly with multiple fork sizes available
- 5 Year Warranty on Lithium Battery

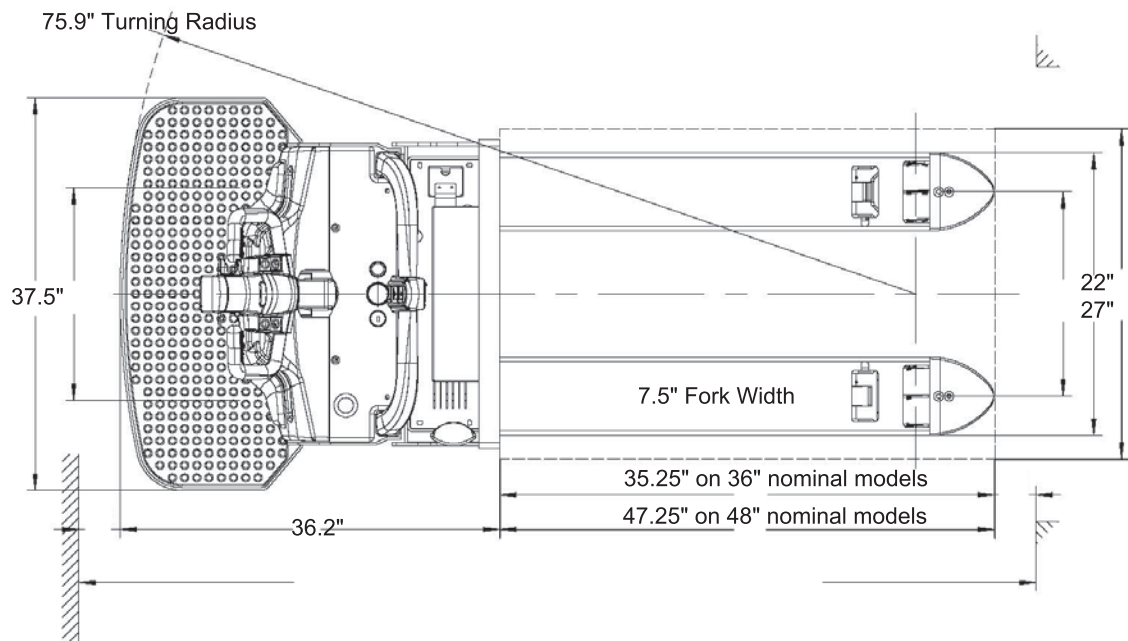
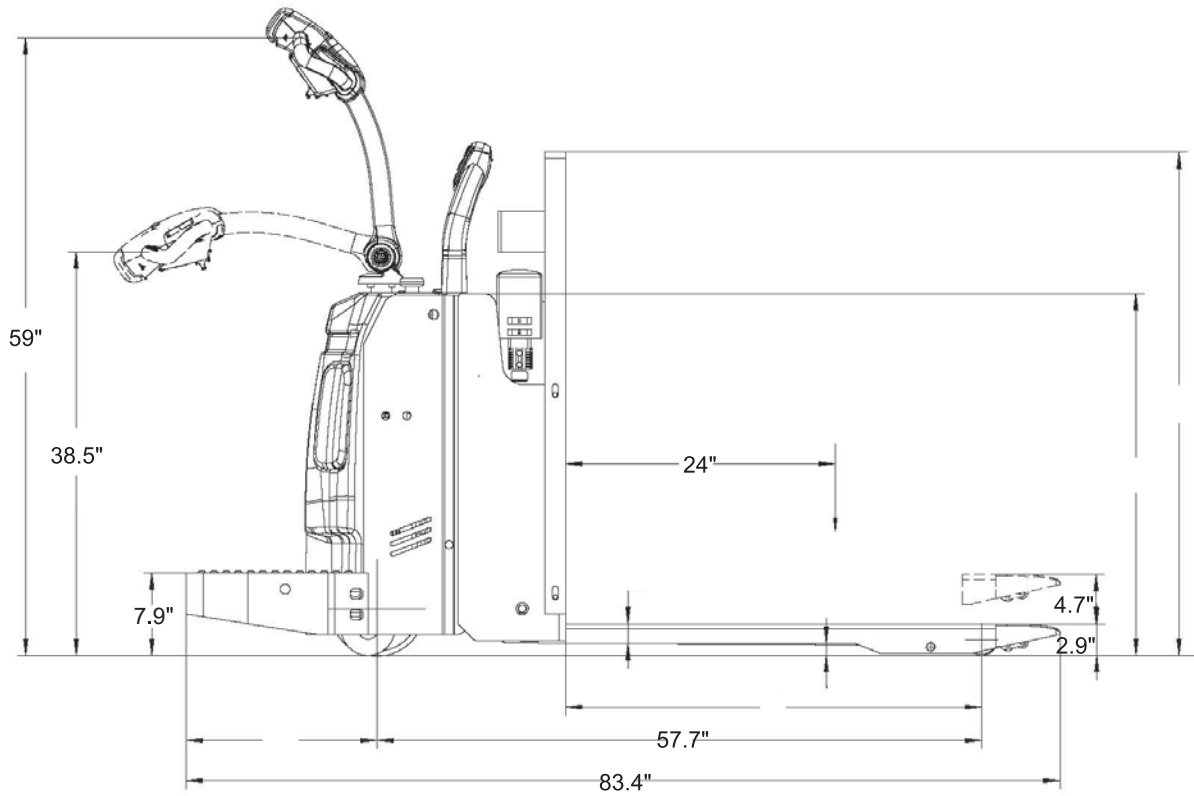
Manufacturer			EP
Model designation			EPL202
Drive			Electric
Base capacity	Q	lb.	4400
Load center distance	c	in.	24
Service weight		lb.	1433
Length to face of forks	l2	in.	36.2
Overall width	b1/b2	in.	37.5
Fork dimensions	s/e/l	in.	1.9x7.5x47.2
Turning radius	Wa	in.	75.9
Max. gradeability, loaded/unloaded		%	6/16
Battery voltage/nominal capacity		V/Ah	24V/205Ah-ion

# End-Control Rider Pallet Truck 4,400lbs

## EPL202

Distinguishing mark	1.1	Manufacturer				EP
	1.2	Model designation				EPL202
	1.3	Drive				Electric
	1.4	Operator type				Standing
	1.5	Base capacity	Q	lb.		4400
	1.6	Load center distance	c	in.		24
	1.8	Load distance, center of drive axle to fork	x	in.		39.7
	1.9	Wheelbase	y	in.		57.7
	Service weight	2.1	Service weight		lb.	
2.2		Axle loading, loaded front/rear		lb.		2317/3527
2.3		Axle loading, unloaded front/rear		lb.		1168/265
Tires/chassis	3.1	Tire type				Polyurethane
	3.2	Tire size, front				9.06*2.95
	3.3	Tire size, rear				2.91*2.56
	3.4	Additional wheels (castor wheels)		in.		5.12*2.17
	3.5	Wheels, number front/rear (x=drive wheels)		in.		1x/ 2 load
	3.6.1	Tread width, front	b <sub>10</sub>	in.		16/21
	3.7.1	Tread width, rear	b <sub>11</sub>	in.		19.5
Dimensions	4.4	Lift height stroke	h <sub>3</sub>	in.		4.7
	4.9	Height of tiller handle in drive position min./max.	h <sub>14</sub>	in.		38.5/59.0
	4.15	Lowered height	h <sub>13</sub>	in.		2.9
	4.19	Overall length	l <sub>1</sub>	in.		83.4
	4.20	Length to face of forks	l <sub>2</sub>	in.		36.2
	4.21	Overall width	b <sub>1</sub> /b <sub>2</sub>	in.		37.5
	4.22	Fork dimensions		in.		1.9x7.5x47.2/36
	4.25	Fork spread	b <sub>5</sub>	in.		22/27
	4.32	Ground clearance, center of wheelbase	m <sub>2</sub>	in.		1.2
4.35	Turning radius	Wa	in.		75.9	
Performance data	5.1	Travel speed, loaded/unloaded		mph		5/5
	5.2	Lifting speed, loaded/unloaded		fpm		9.8/10.6
	5.3	Lowering speed, loaded/unloaded		fpm		13.2/10.6
	5.8	Max. gradeability, loaded/unloaded		%		6/16
	5.10	Service brake				Electromagnetic
Electric-engine	6.1	Drive motor rating S2 60 min		kW		1.6
	6.2	Lift motor rating at S3 15%		kW		2.2
	6.4	Battery voltage/nominal capacity		V/Ah		24V/205Ah Li-ion
	6.5	Battery weight		lb.		338
	Drive/lift mechanism	8.1	Type of drive control			
10.5		Steering design				Electronic
10.7		Sound pressure level at the driver's ear		dB(A)		74
15.1		Charger output current		A		

If there are improvements of technical parameters or configurations, no further notice will be given.  
The diagram shown may contain non-standard configurations.





WEBSITE



**EP North America**  
4395 Diplomacy Rd  
Fort Worth, TX 76155

LINKEDIN



epforklifts.com • 833.428.0030 • sales@epforklifts.com

2024.08.08\_V01